

TEST REPORT

CERTIFICATE OF CONFORMITY

Standard: EN 55032:2015 +A11:2020, Class A
EN 61000-3-2:2014
EN 61000-3-3:2013
EN 55035:2017 +A11:2020

Report No.: CEBDBO-WTW-P22010294

Model No.: AIC-110

Series Model: AIC-100 Series, AIC-1XXXXXXXXXXXXXXXXX ("X" can be 0-9, A-Z or blank for marketing purpose)

Received Date: 2022/1/8

Test Date: 2022/1/14 ~ 2022/1/21

Issued Date: 2022/2/18

Applicant: Vecow Co., Ltd.

Address: 3F., No.10, Jiankang Rd., Zhonghe Dist., New Taipei City 23586, Taiwan

Issued By: Bureau Veritas Consumer Products Services (H.K.) Ltd., Taoyuan Branch
Lin Kou Laboratories

Lab Address: No. 47-2, 14th Ling, Chia Pau Vil., Lin Kou Dist., New Taipei City, Taiwan

Test Location: No. 47-2, 14th Ling, Chia Pau Vil., Lin Kou Dist., New Taipei City, Taiwan

Approved by: _____



Date: _____

2022/2/18

Jim Hsiang / Associate Technical Manager

This test report consists of 78 pages in total. It may be duplicated completely for legal use with the approval of the applicant. It should not be reproduced except in full, without the written approval of our laboratory. The test results in the report only apply to the tested sample. The test results in this report are traceable to the national or international standards.



Prepared by : Ivy Lin / Specialist

This report is for your exclusive use. Any copying or replication of this report to or for any other person or entity, or use of our name or trademark, is permitted only with our prior written permission. This report sets forth our findings solely with respect to the test samples identified herein. The results set forth in this report are not indicative or representative of the quality or characteristics of the lot from which a test sample was taken or any similar or identical product unless specifically and expressly noted. Our report includes all of the tests requested by you and the results thereof based upon the information that you provided to us. You have 60 days from date of issuance of this report to notify us of any material error or omission caused by our negligence, provided, however, that such notice shall be in writing and shall specifically address the issue you wish to raise. A failure to raise such issue within the prescribed time shall constitute your unqualified acceptance of the completeness of this report, the tests conducted and the correctness of the report contents. Unless specific mention, the uncertainty of measurement has been explicitly taken into account to declare the compliance or non-compliance to the specification.

Table of Contents

Release Control Record	4
1 Certificate	5
2 Summary of Test Results	6
2.1 Performance Criteria	7
2.2 Measurement Uncertainty	9
2.3 Supplementary Information	9
3 General Information	10
3.1 Description of EUT	10
3.2 Primary Clock Frequencies of Internal Source	10
3.3 Features of EUT	10
3.4 Operating Modes of EUT and Determination of Worst Case Operating Mode	11
3.5 Test Program Used and Operation Descriptions	12
3.6 Connection Diagram of EUT and Peripheral Devices	13
3.7 Configuration of Peripheral Devices and Cable Connections	15
4 Test Instruments	17
4.1 Conducted Emissions from Power Ports	17
4.2 Conducted Emissions from Wired Network Ports	18
4.3 Radiated Emissions up to 1 GHz	19
4.4 Radiated Emissions above 1 GHz	20
4.5 Harmonic Current Measurement	21
4.6 Voltage Fluctuations and Flicker Measurement	21
4.7 Electrostatic Discharges (ESD)	21
4.8 Radio Frequency Electromagnetic Field (RS)	22
4.9 Fast Transients Common Mode (EFT)	22
4.10 Surges	23
4.11 Radio Frequency Common Mode (CS)	23
4.12 Power Frequency Magnetic Field (PFMF)	24
4.13 Voltage Dips and Interruptions (DIP)	24
5 Limits of Test Items	25
5.1 Conducted Emissions from Power Ports	25
5.2 Conducted Emissions from Wired Network Ports	25
5.3 Radiated Emissions up to 1 GHz	25
5.4 Radiated Emissions above 1 GHz	26
5.5 Harmonic Current Measurement	26
5.6 Voltage Fluctuations and Flicker Measurement	27
5.7 General immunity requirements	28
6 Test Arrangements	30
6.1 Conducted Emissions from Power Ports	30
6.2 Conducted Emissions from Wired Network Ports	31
6.3 Radiated Emissions up to 1 GHz	34
6.4 Radiated Emissions above 1 GHz	35
6.5 Harmonic Current Measurement	36
6.6 Voltage Fluctuations and Flicker Measurement	36
6.7 Electrostatic Discharges (ESD)	37
6.8 Radio Frequency Electromagnetic Field (RS)	39
6.9 Fast Transients Common Mode (EFT)	40
6.10 Surges	41
6.11 Radio Frequency Common Mode (CS)	43
6.12 Power Frequency Magnetic Field (PFMF)	45
6.13 Voltage Dips and Interruptions (DIP)	46
7 Test Results of Test Item	47
7.1 Conducted Emissions from Power Ports	47



7.2	Conducted Emissions from Wired Network Ports	51
7.3	Radiated Emissions up to 1 GHz	53
7.4	Radiated Emissions above 1 GHz.....	55
7.5	Harmonic Current Measurement.....	57
7.6	Voltage Fluctuations and Flicker Measurement	57
7.7	Electrostatic Discharges (ESD)	58
7.8	Radio Frequency Electromagnetic Field (RS).....	61
7.9	Fast Transients Common Mode (EFT)	61
7.10	Surges.....	62
7.11	Radio Frequency Common Mode (CS)	62
7.12	Power Frequency Magnetic Field (PFMF).....	63
7.13	Voltage Dips and Interruptions (DIP)	64
8	Pictures of Test Arrangements	65
8.1	Conducted Emissions from Power Ports.....	65
8.2	Conducted Emissions from Wired Network Ports	67
8.3	Radiated Emissions up to 1 GHz	69
8.4	Radiated Emissions above 1 GHz.....	70
8.5	Harmonic Current Measurement.....	71
8.6	Voltage Fluctuations and Flicker Measurement	71
8.7	Electrostatic Discharges (ESD)	72
8.8	Radio Frequency Electromagnetic Field (RS).....	73
8.9	Fast Transients Common Mode (EFT)	74
8.10	Surges.....	75
8.11	Radio Frequency Common Mode (CS)	76
8.12	Power Frequency Magnetic Field (PFMF).....	77
8.13	Voltage Dips and Interruptions (DIP)	77
9	Information of the Testing Laboratories	78

Release Control Record

Issue No.	Description	Date Issued
CEBDBO-WTW-P22010294	Original release.	2022/2/18

1 Certificate

Product:	Arm-based IoT Gateway System
Brand:	Vecow
Test Model:	AIC-110
Series Model:	AIC-100 Series, AIC-1XXXXXXXXXXXXXXXXX (“X” can be 0-9, A-Z or blank for marketing purpose)
Sample Status:	Engineering sample
Applicant:	Vecow Co., Ltd.
Test Date:	2022/1/14 ~ 2022/1/21
Standard:	EN 55032:2015 +A11:2020, Class A EN 61000-3-2:2014 EN 61000-3-3:2013 EN 55035:2017 +A11:2020
Measurement procedure:	EN 61000-4-2:2009 / IEC 61000-4-2:2008 ED. 2.0 EN 61000-4-3:2006 +A1:2008 +A2:2010 / IEC 61000-4-3:2010 ED. 3.2 EN 61000-4-4:2012 / IEC 61000-4-4:2012 ED. 3.0 EN 61000-4-5:2014 +A1:2017 / IEC 61000-4-5:2017 ED. 3.1 EN 61000-4-6:2014+AC:2015 / IEC 61000-4-6:2013 ED. 4.0 EN 61000-4-8:2010 / IEC 61000-4-8:2009 ED. 2.0 EN 61000-4-11:2004 +A1: 2017 / IEC 61000-4-11:2017 ED. 2.1

The above equipment has been tested by **Bureau Veritas Consumer Products Services (H.K.) Ltd., Taoyuan Branch**, and found compliance with the requirement of the above standards. The test record, data evaluation & Equipment Under Test (EUT) configurations represented herein are true and accurate accounts of the measurements of the sample’s EMC characteristics under the conditions specified in this report.

2 Summary of Test Results

The test items that the EUT need to perform in accordance with its interfaces and evaluated functions are as follows:

Standard	Test Item	Result	Remark
EN 55032	Conducted Emissions from Power Ports	Pass	Minimum passing Class A margin is -18.86 dB at 17.36900 MHz
EN 55032	Conducted Emissions from Wired Network Ports	Pass	Minimum passing Class A margin is -23.23 dB at 0.49997 MHz
EN 55032	Radiated Emissions up to 1 GHz	Pass	Minimum passing Class A margin is -0.46 dB at 396.01 MHz
EN 55032	Radiated Emissions above 1 GHz	Pass	Minimum passing Class A margin is -17.50 dB at 1584.18 MHz
EN 61000-3-2	Harmonic Current Measurement	Pass	The power consumption of EUT is less than 75W and no limits apply.
EN 61000-3-3	Voltage Fluctuations and Flicker Measurement	Pass	$P_{st} \leq 1.00$ $d_{max} \leq 4.00 \%$ $P_{it} \leq 0.65$ $d_c \leq 3.30 \%$ $T_{max} \leq 500 \text{ ms}$
IEC 61000-4-2	Electrostatic Discharges (ESD)	Pass	For EN 55035 Performance Criteria A
IEC 61000-4-3	Radio Frequency Electromagnetic Field (RS)	Pass	For EN 55035 Performance Criteria A
IEC 61000-4-4	Fast Transients Common Mode (EFT)	Pass	For EN 55035 Performance Criteria A
IEC 61000-4-5	Surges	Pass	For EN 55035 Performance Criteria A
IEC 61000-4-6	Radio Frequency Common Mode (CS)	Pass	For EN 55035 Performance Criteria A
IEC 61000-4-8	Power Frequency Magnetic Field (PFMF)	Pass	For EN 55035 Performance Criteria A
IEC 61000-4-11	Voltage Dips and Interruptions (DIP)	Pass	For EN 55035 For Voltage Dips: <5% Residual, 0.5 cycle Performance Criteria A 70% Residual, 25 cycle Performance Criteria A For Voltage Interruptions: <5% Residual, 250 cycle Performance Criteria C

Note: Determining compliance based on the results of the compliance measurement, not taking into account measurement instrumentation uncertainty.

2.1 Performance Criteria

General Performance Criteria

These criteria shall be used during the testing of primary functions where no specified in the normative annexes of EN 55035 is applicable.

Performance criterion A

The equipment shall continue to operate as intended without operator intervention. No degradation of performance, loss of function or change of operating state is allowed below a performance level specified by the manufacturer when the equipment is used as intended. The performance level may be replaced by a permissible loss of performance. If the minimum performance level or the permissible performance loss is not specified by the manufacturer, then either of these may be derived from the product description and documentation, and by what the user may reasonably expect from the equipment if used as intended.

Performance criterion B

During the application of the disturbance, degradation of performance is allowed. However, no unintended change of actual operating state or stored data is allowed to persist after the test.

After the test, the equipment shall continue to operate as intended without operator intervention; no degradation of performance or loss of function is allowed, below a performance level specified by the manufacturer, when the equipment is used as intended. The performance level may be replaced by a permissible loss of performance.

If the minimum performance level (or the permissible performance loss), or recovery time, is not specified by the manufacturer, then either of these may be derived from the product description and documentation, and by what the user may reasonably expect from the equipment if used as intended.

Performance criterion C

Loss of function is allowed, provided the function is self-recoverable, or can be restored by the operation of the controls by the user in accordance with the manufacturer's instructions. A reboot or re-start operation is allowed.

Information stored in non-volatile memory, or protected by a battery backup, shall not be lost.

Product Specific Performance criteria for network functions

Equipment that provides these functions transmits and receives data through ports such as an analogue/digital data port. The networking functions are just like network switching and routing ; data transmission ; supervisory...etc.

The particular performance criteria which are specified in the normative annexes of CISPR 35/ EN 55035 take precedence over the corresponding parts of the general performance criteria.

Performance criterion A

Where relevant, during the application of the test the network function shall, as a minimum, operate ensuring that:

- established connections shall be maintained throughout the application of the test;
- no change of operational state or corruption of stored data occurs;
- no increase in error rate above the figure defined by the manufacturer occurs. The manufacturer should select the most appropriate performance measurement criteria for the product or system, for example bit error rate, block error rate;
- no request for retry above the figure defined by the manufacturer;
- the data transmission rate does not reduce below the figure defined by the manufacturer;
- no protocol failure occurs;
- other verifications are described in F.3.3.1 of CISPR 35/ EN 55035.

Performance criterion B

Established connections shall be maintained throughout the test, or shall self-recover in a way and timescale that is imperceptible to the user.

The error rate, request for retry and data transmission rates may be degraded during the application of the test. Degradation of the performance as described in criterion A is permitted, provided that the normal operation of the EUT is self-recoverable to the condition established prior to the application of the test.

Where required, as defined in Clause 5 of CISPR 35/ EN 55035, the acceptable operation of the function shall be verified at the completion of the test as described in Table H.1 of CISPR 35/ EN 55035, by confirming the following:

- the EUT's ability to establish a connection,

- the EUT's ability to clear a connection.

During surge testing disconnection is allowed on the analogue/digital data port being tested.

If the EUT is a supervisory equipment, it shall not impact the normal operation of the network being monitored. In addition, any supervisory functions impacted during the period of the test shall return to the state prior to the test. Elements to consider include: alarms, signalling lamps, printer output, network traffic rates, network monitoring.

Performance criterion C

Degradation of performance as described in criteria A and B is permitted provided that the normal operation of the EUT is self-recoverable to the condition immediately before the application of the test, or can be restored after the test by the operator.

Product Specific Performance Criteria for xDSL

The particular performance criteria which are specified in the normative annexes of CISPR 35/ EN 55035 take precedence over the corresponding parts of the general performance criteria.

Performance criterion A

Applicable for the test requirement defined in table clause 2.1 of EN 55035

During the swept frequency test the established connection shall be maintained throughout the testing and the information transferred without any additional reproducible errors or loss of synchronisation. If a degradation in performance is observed and the system is adaptive, for example has the capability to automatically retrain in the presence of an interfering signal, then for conducted immunity tests only, the following procedure shall be followed:

- For each range of interfering frequencies in which degradation in performance is observed, three frequencies (beginning, middle and end) shall be identified.
- At each of the frequencies identified in step a), the interfering signal shall be turned on and the system is allowed to retrain.
- If the system is able to retrain and then functions correctly for a dwell time of at least 60 seconds without any additional reproducible errors or loss of synchronisation, then the performance level of the system is considered acceptable.
- The frequencies identified in step a) and the data rates achieved in step b) shall be recorded in the test report.

Applicable for the test requirement defined in table clause 2.2 of EN 55035

It is important that the modems are able to train in the presence of repetitive impulsive noise and minimize disruption to the end-user where a repetitive impulsive noise source starts after the link has synchronized. Therefore the following procedure and performance criteria shall apply.

The manufacturer shall select the class of impulsive noise protection (INP) to be used for the immunity test and should state this information in the technical documentation and in the test report. The maximum delay shall be set to 8 ms.

In the absence of impulsive noise: The modem shall operate without retraining at its target noise margin with a bit rate value depending on the line attenuation and the stationary noise being present on the line. (The actual value will be between the minimum and maximum bit rate values programmed in the port).

The impulsive noise source shall then be applied at the required test level.

With the impulsive noise applied: The modem shall operate without retraining and without SES at the bit rate established prior to the application of the impulsive noise. No extra CRC errors shall occur due to the impulsive noise.

After the test, the noise margin value shall return to the target noise margin.

Performance criterion B

Applicable for the test requirement defined in table clause 2.3 of EN 55035

Modems shall withstand the occurrence of isolated impulsive noise events. The performance criteria defined in below Table shall be applied.

Impulse duration (ms)	Performance criteria
0.24	The application of the impulse shall not cause the xDSL link to lose synchronisation. No CRC errors are permitted.
10	The application of the 5 impulses shall result in less than 75 CRC errors and shall not cause the link to lose synchronisation.
300	The application of the impulse shall not cause the xDSL link to lose synchronisation.

Applicable for the test requirements defined in table clauses 2.5 and 4.5 of EN 55035

For application of this test to the xDSL port, a repetition rate of 100 kHz (burst length 0.75 ms) shall be used.

Degradation of the performance as described in criterion A is permitted in that errors are acceptable during the application of the test. However the application of the test shall not cause the system to lose the established connection or re-train. At the cessation of the test the system shall operate in the condition established prior to the application of the

test without user intervention.

After the application of the EFT/B tests to the xDSL or AC mains port, the CRC error count shall not have increased by more than 600 when compared to the count prior to the application of the test.

Performance criterion C

Degradation of the performance as described in criteria A and B is permitted provided that the normal operation of the EUT is self-recoverable to the condition established prior to application of the test or can be restored after the test by the operator.

2.2 Measurement Uncertainty

Where relevant, the following measurement uncertainty levels have been estimated for tests performed on the EUT as specified in CISPR 16-4-2:

Measurement	Specification	Expanded Uncertainty (k=2) (±)	Maximum allowable uncertainty (±)
Conducted Emissions from Power Ports	150 kHz ~ 30 MHz	2.94dB	3.4 dB (U_{CISPR})
Conducted Emissions from Wired Network Ports	150 kHz ~ 30 MHz	3.88 dB	5.0 dB (U_{CISPR})
Radiated Emissions up to 1 GHz	30 MHz ~ 1 GHz	3m : 5.64dB 10m : 4.30dB	6.3 dB (U_{CISPR})
Radiated Emissions above 1 GHz	1 GHz ~ 6 GHz	4.64dB	5.2 dB (U_{CISPR})

The other instruments specified are routine verified to remain within the calibrated levels, no measurement uncertainty is required to be calculated.

2.3 Supplementary Information

There is not any deviation from the test standards for the test method, and no modifications required for compliance.

3 General Information

3.1 Description of EUT

Product	Arm-based IoT Gateway System
Brand	Vecow
Test Model	AIC-110
Variant Model	AIC-100 Series, AIC-1XXXXXXXXXXXXXXXXX ("X" can be 0-9, A-Z or blank for marketing purpose)
Model Difference	For marketing purposes
Sample Status	Engineering sample
Operating Software	Debian Stretch R01
Power Supply Rating	Refer to Note as below
Accessory Device	Adapter
Data Cable Supplied	Shielded USB cable (1.0m)

Note:

The EUT uses following adapter.

Brand	Model	Specification
LITEON	PA-1121-24	AC Input : 100-240V, 2A, 50-60 Hz DC Output : 24V, 5.0A, 120W Power Cord: Non-shielded DC cable (1.5m) with one core

3.2 Primary Clock Frequencies of Internal Source

The highest frequency generated or used within the EUT or on which the EUT operates or tunes is 900 MHz, provided by Vecow Co., Ltd., for detailed internal source, please refer to the manufacturer's specifications.

3.3 Features of EUT

1. The tests reported herein were performed according to the method specified by Vecow Co., Ltd., for detailed feature description, please refer to the manufacturer's specifications or user's manual.

Please refer to appendix of the report if the applicant has provided additional descriptions of the EUT.

2. The EUT was configured with the following key components:

Component	Vendor / Model No. /Spec
CPU	NXP i.MX6ULL Arm® Cortex® -A7, up to 900MHz
RAM	DDR3L SDRAM, 512MB

3.4 Operating Modes of EUT and Determination of Worst Case Operating Mode

1. The EUT has been pre-tested under following test modes.

Test Condition	
Mode	Radiated Emissions up to 1 GHz
1	Input Power (AC 110V 60Hz) + Full system + LAN Ping
2	Input Power (AC 230V 50Hz) + Full system + LAN Ping
3	Standby Mode
Notes:	
1. There are both standby mode and normal mode to be pre-tested then normal mode has the highest emission value.	
2. There are both AC 230V/50Hz and AC 110V/60Hz to be pre-tested then AC 230V/50Hz has the highest emission value.	

Note: The worst case is shown up with bold words.

2. Test modes are presented in the report as below.

Test Condition	
Mode	Conducted Emissions from Power Ports
A	Input Power (AC 110V 60Hz) + Full system + LAN Ping
B	Input Power (AC 230V 50Hz) + Full system + LAN Ping
Mode	Conducted Emissions from Wired Network Ports
A	Input Power (AC 230V 50Hz) + Full system + LAN 1 100Mbps
B	Input Power (AC 230V 50Hz) + Full system + LAN 2 100Mbps
The idle mode of conducted emission test at telecom port was pre-tested based on the worst case of link mode. Due to emissions of idle mode being very low compared to link mode, only the link mode data were presented in the test report.	
Mode	Radiated Emissions up to 1 GHz
A	Input Power (AC 230V 50Hz) + Full system + LAN Ping
Mode	Radiated Emissions above 1 GHz
A	Input Power (AC 230V 50Hz) + Full system + LAN Ping
Mode	Harmonic Current Measurement
A	Input Power (AC 230V 50Hz) + Full system + LAN Ping
Mode	Voltage Fluctuations and Flicker Measurement
A	Input Power (AC 230V 50Hz) + Full system + LAN Ping
Mode	Electrostatic Discharges (ESD)
A	Input Power (AC 230V 50Hz) + Full system + LAN Ping
Mode	Radio Frequency Electromagnetic Field (RS)
A	Input Power (AC 230V 50Hz) + Full system + LAN Ping
Mode	Fast Transients Common Mode (EFT)
A	Input Power (AC 230V 50Hz) + Full system + LAN Ping
Mode	Surges
A	Input Power (AC 230V 50Hz) + Full system + LAN Ping

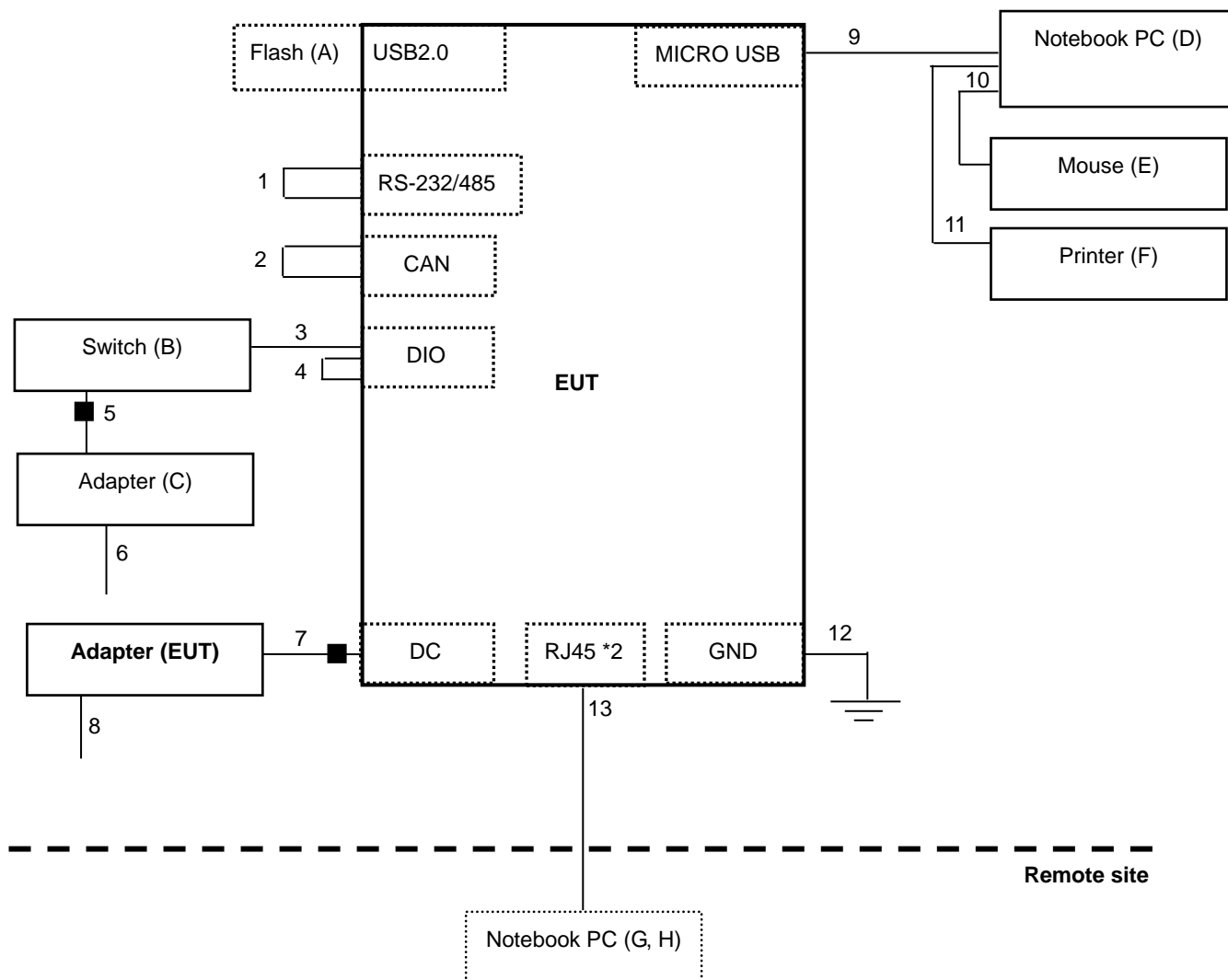
Test Condition	
Mode	Radio Frequency Common Mode (CS)
A	Input Power (AC 230V 50Hz) + Full system + LAN Ping
Mode	Power Frequency Magnetic Field (PFMF)
A	Input Power (AC 230V 50Hz) + Full system + LAN Ping
Mode	Voltage Dips and Interruptions (DIP)
A	Input Power (AC 230V 50Hz) + Full system + LAN Ping

3.5 Test Program Used and Operation Descriptions

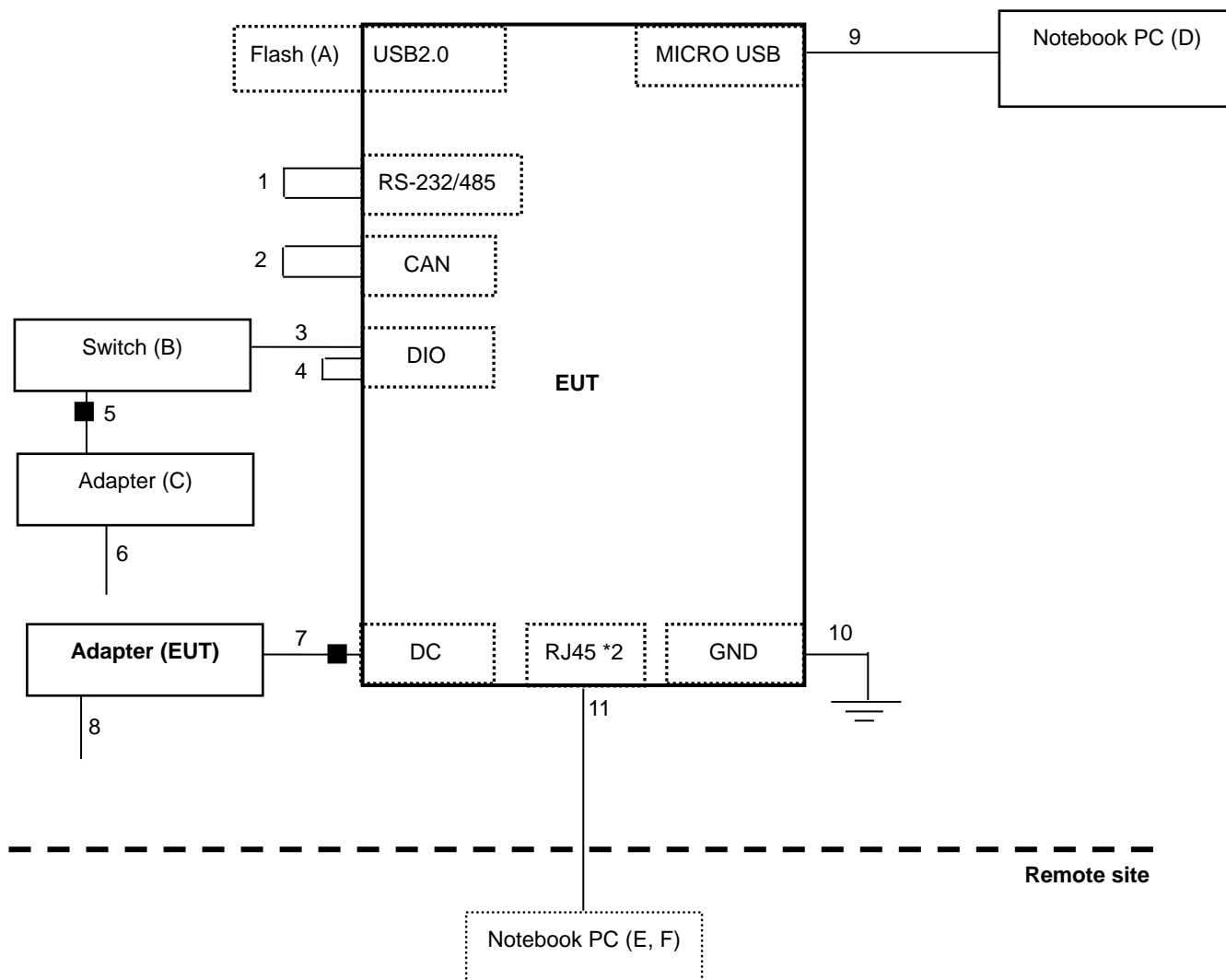
- a. Turned on the power of all equipment.
- b. Notebook ran a test program to enable all functions of EUT.
- c. Notebook read and wrote messages from USB Flash Drive via EUT.
- d. Notebook sent and received messages to/from two Notebooks (kept in a remote area) via EUT (command "PING") with two STP LAN cables (10m each).
- e. Notebook sent and received messages to/from two Notebooks (kept in a remote area) via EUT (command "TfGen + PING") with two STP LAN cables (10m each). <For Conducted Emissions from Wired Network Ports test only>
- f. Steps c-e were repeated.

3.6 Connection Diagram of EUT and Peripheral Devices

Emission tests (Harmonics & Flicker excluded):



Harmonics & Flicker & Immunity tests:



3.7 Configuration of Peripheral Devices and Cable Connections

Emission tests (Harmonics & Flicker excluded):

ID	Product	Brand	Model No.	Serial No.	FCC ID	Remarks
A	FLASH	SP	MOBILE C31	N/A	N/A	Provided by Lab
B	SWITCH	N/A	N/A	N/A	N/A	Supplied by applicant
C	ADAPTER	CWT	KPL-060F-VI	N/A	N/A	Supplied by applicant
D	Notebook PC	DELL	P41G	FT4W952	N/A	Provided by Lab
E	USB Mouse	DELL	MOCZUL	CN-049TWY-PRC00-77B-007R	N/A	Provided by Lab
F	PRINTER	HP	HP Officejet Pro 251dw	CN62OCV0JN	B94SDGOB1191	Provided by Lab
G	Notebook PC	SONY	SVS151A12P	275548477001024	N/A	Provided by Lab
H	Notebook PC	ASUS	PU401L	ECNXBC012528528	N/A	Provided by Lab

ID	Cable Descriptions	Qty.	Length (m)	Shielding (Yes/No)	Cores (Qty.)	Remarks
1	I/O cable	2	0.01	No	0	Supplied by applicant
2	I/O cable	2	0.05	No	0	Supplied by applicant
3	DC power cable	3	0.1	No	0	Supplied by applicant
4	I/O cable	8	0.01	No	0	Supplied by applicant
5	DC power cable	1	1.2	No	1	Supplied by applicant
6	AC power cable	1	1.8	No	0	Provided by Lab
7	DC power cable	1	1.5	No	1	Supplied by applicant
8	AC power cable	1	1.8	No	0	Provided by Lab
9	Micro USB cable	1	1	Yes	0	Supplied by applicant
10	USB 2.0 cable	1	1.8	Yes	0	Provided by Lab
11	USB 2.0 cable	1	1.8	Yes	0	Provided by Lab
12	GND cable	1	1.5	No	0	Provided by Lab
13	RJ45 Cable	2	10	Yes	0	Provided by Lab

Harmonics & Flicker & Immunity tests:

ID	Product	Brand	Model No.	Serial No.	FCC ID	Remarks
A	FLASH	SP	MOBILE C31	N/A	N/A	Provided by Lab
B	SWITCH	N/A	N/A	N/A	N/A	Supplied by applicant
C	ADAPTER	CWT	KPL-060F-VI	N/A	N/A	Supplied by applicant
D	Notebook PC	Dell	E5430	1W44PX1	N/A	Provided by Lab
E	Notebook PC	DELL	Latitude E5440	DX8OP32	N/A	Provided by Lab
F	Notebook PC	Dell	Latitude E5470	F4D1S72	N/A	Provided by Lab

ID	Cable Descriptions	Qty.	Length (m)	Shielding (Yes/No)	Cores (Qty.)	Remarks
1	I/O cable	2	0.01	No	0	Supplied by applicant
2	I/O cable	2	0.05	No	0	Supplied by applicant
3	DC power cable	3	0.1	No	0	Supplied by applicant
4	I/O cable	8	0.01	No	0	Supplied by applicant
5	DC power cable	1	1.2	No	1	Supplied by applicant
6	AC power cable	1	1.8	No	0	Provided by Lab
7	DC power cable	1	1.5	No	1	Supplied by applicant
8	AC power cable	1	1.8	No	0	Provided by Lab
9	Micro USB cable	1	1	Yes	0	Supplied by applicant
10	GND cable	1	1.5	No	0	Provided by Lab
11	RJ45 Cable	2	10	Yes	0	Provided by Lab

4 Test Instruments

The calibration interval of the all test instruments are 12 months and the calibrations are traceable to NML/ROC and NIST/USA.

4.1 Conducted Emissions from Power Ports

Description Manufacturer	Model No.	Serial No.	Calibrated Date	Calibrated Until
50 ohm terminal LYNICS	0900510	E1-011484	2021/5/25	2022/5/24
Attenuator STI	STI02-2200-10	NO.1	2021/9/15	2022/9/14
DC LISN Schwarzbeck	NNLK 8121	8121-808	2021/4/18	2022/4/17
DC LISN R&S	ESH3-Z6	100219	2021/7/25	2022/7/24
Isolation Transformer Erika Fiedler	D-65396	017	2021/9/9	2022/9/8
LISN R&S	ENV216	101195	2021/5/25	2022/5/24
		101197	2021/6/23	2022/6/22
LISN Schwarzbeck	NNLK8129	8129229	2021/5/20	2022/5/19
	NNLK 8121	8121-731	2021/4/28	2022/4/27
LISN R&S	ENV216	101196	2021/4/26	2022/4/25
	ESH3-Z6	844950/018	2021/7/25	2022/7/24
RF Coaxial Cable Commate	5D-FB	Cable-CO10-01	2021/2/10	2022/2/9
Software BVADT	Cond_V7.3.7.4	NA	NA	NA
Test Receiver R&S	ESR3	102414	2021/12/20	2022/12/19

Notes:

1. The test was performed in Linkou Conduction 10.
2. Tested Date: 2022/1/17

4.2 Conducted Emissions from Wired Network Ports

Description Manufacturer	Model No.	Serial No.	Calibrated Date	Calibrated Until
50 ohm terminal LYNICS	0900510	E1-011484	2021/5/25	2022/5/24
DC LISN Schwarzbeck	NNLK 8121	8121-808	2021/4/18	2022/4/17
DC LISN R&S	ESH3-Z6	100219	2021/7/25	2022/7/24
Impedance-stabilization-network TESEQ	ISN T8-Cat6	53159	2021/3/16	2022/3/15
	ISN T400A	28573	2021/8/8	2022/8/7
	ISN T800	36181	2021/8/6	2022/8/5
ISN FCC	F-071115-1057-1	20650	2021/2/3	2022/2/2
		20651	2021/3/10	2022/3/9
		20652	2021/1/18	2022/1/17
	F-071115-1057-1-09	120033	2021/5/12	2022/5/11
ISN TESEQ	ISN S751	40599	2021/7/27	2022/7/26
	ISN ST08	41212	2021/8/8	2022/8/7
Isolation Transformer Erika Fiedler	D-65396	017	2021/9/9	2022/9/8
LISN R&S	ENV216	101195	2021/5/25	2022/5/24
		101197	2021/6/23	2022/6/22
LISN Schwarzbeck	NNLK8129	8129229	2021/5/20	2022/5/19
	NNLK 8121	8121-731	2021/4/28	2022/4/27
LISN R&S	ENV216	101196	2021/4/26	2022/4/25
	ESH3-Z6	844950/018	2021/7/25	2022/7/24
RF Coaxial Cable Commate	5D-FB	Cable-CO10-01	2021/2/10	2022/2/9
RF Current Probe FCC	F-33-4	56	2021/7/27	2022/7/26
Software BVADT	ISN_V7.3.7.4	NA	NA	NA
Test Receiver R&S	ESR3	102414	2021/12/20	2022/12/19

Notes:

1. The test was performed in Linkou Conduction 10 (ISN 10).
2. Tested Date: 2022/1/17

4.3 Radiated Emissions up to 1 GHz

Description Manufacturer	Model No.	Serial No.	Calibrated Date	Calibrated Until
ADT. Tower	AT100	0205	NA	NA
ADT. Turn Table	TT100	0205	NA	NA
Attenuator Mini-Circuits	UNAT-5+	PAD-ST2-01	2021/10/22	2022/10/21
Bi-log Broadband Antenna Schwarzbeck	VULB9168	9168-303	2021/10/29	2022/10/28
Pre_Amplifier HP	8447D	2944A08119	2021/2/18	2022/2/17
RF Coaxial Cable Pacific	8D-FB	Cable-ST2-01	2021/10/22	2022/10/21
Software BVADT	Radiated_V7.6.15.9.5	NA	NA	NA
TEST RECEIVER R&S	ESCS 30	100292	2021/9/1	2022/8/31
	ESCS 30	100276	2021/4/15	2022/4/14

Notes:

1. The test was performed in Linkou Open Site2 , The test site validated date: 2021/07/30 (NSA)
2. Tested Date: 2022/1/14

4.4 Radiated Emissions above 1 GHz

Description Manufacturer	Model No.	Serial No.	Calibrated Date	Calibrated Until
Attenuator Mini-Circuits	BW-N4W5+	PAD-CH10-02	2021/7/8	2022/7/7
	BW-K3-2W44+	PAD-CH7-03	2021/7/8	2022/7/7
BandPass Filter MICRO-TRONICS	BRM17690	005	2021/5/28	2022/5/27
Fix tool for Boresight antenna tower BV	BAF-01	9	NA	NA
Horn Antenna ETS-Lindgren	3117-PA	00215857	2021/11/14	2022/11/13
Horn Antenna EMCO	3115	6714	2021/11/14	2022/11/13
Horn Antenna Schwarzbeck	BBHA 9170	212	2021/10/13	2022/10/12
Notch filter MICRO-TRONICS	BRC50703-01	010	2021/5/28	2022/5/27
Pre_Amplifier EMCI	EMC0126545	980076	2021/2/19	2022/2/18
Pre_Amplifier MITEQ	AMF-6F-260400-33-8P	892164	2021/2/19	2022/2/18
Pre_Amplifier EMCI	EMC184045B	980235	2021/2/19	2022/2/18
Pre-amplifier HP	8449B	3008A01292	2021/2/19	2022/2/18
RF Coaxial Cable Rosnol	K1K50-UP0279-K1K50-3000	Cable-CH10(3m)-04	2021/7/8	2022/7/7
RF Coaxial Cable WOKEN	WC01	Cable-CH10-03	2021/7/8	2022/7/7
Software BVADT	Radiated_V8.7.08	NA	NA	NA
Spectrum Keysight	N9020B	MY60110438	2021/12/8	2022/12/7
Spectrum Analyzer Agilent	E4446A	MY51100009	2021/6/29	2022/6/28
Test Receiver Agilent	N9038A	MY51210137	2021/6/16	2022/6/15
Turn Table & Tower Max Full	MF7802	MF780208216	NA	NA

Notes:

1. The test was performed in Linkou 966 Chamber 3 (CH 10).
2. Tested Date: 2022/1/15

4.5 Harmonic Current Measurement

Description Manufacturer	Model No.	Serial No.	Calibrated Date	Calibrated Until
Harmonics and Flicker Analyzer TESEQ	PROFLINE 2105	1632A00983&1639A01863	2021/6/8	2022/6/7
Software	CTS 4	NA	NA	NA

Notes:

1. The test was performed in Linkou EMS Room No.1.
2. Tested Date: 2022/1/21

4.6 Voltage Fluctuations and Flicker Measurement

Refer to section 4.5 to get information of the instruments.

4.7 Electrostatic Discharges (ESD)

Description Manufacturer	Model No.	Serial No.	Calibrated Date	Calibrated Until
Electronic Discharge Simulator Noiseken	ESS-2000	ESS0382041	2021/10/7	2022/10/6
ESD Generator EM Test	Dito//DM-150/330//DM-150/330-rfci	P1315117252/P1317117852	2021/7/9	2022/7/8
ESD Simulator KeyTek	MZ15/EC	0504259	2021/11/10	2022/11/9
	MZ-15/EC	0401299	2021/10/7	2022/10/6
ESD Simulator TESEQ	NSG 438	1364	2021/12/16	2022/12/15

Notes:

1. The test was performed in Linkou ESD Room No.03.
2. Tested Date: 2022/1/21

4.8 Radio Frequency Electromagnetic Field (RS)

Description Manufacturer	Model No.	Serial No.	Calibrated Date	Calibrated Until
Amplifier TESEQ	CBA 1G-150	T44220	NA	NA
Amplifier TESTQ	CBA 3G-050	T44345	NA	NA
	AS1860-50	S-5944/1	NA	NA
Audio analyzer R&S	UPV	104565	2021/5/18	2022/5/17
CHANCE MOST Compact Full Anechoic Chamber (7x3x3 m)	NA	NA	2022/1/18	2023/1/17
Ear Simulator Telephonometry B&K	4185	2553594	NA	NA
Mouth Simulator B&K	4227	2630632	NA	NA
POWER AMPLIFIER B&K	2716C	2610979	NA	NA
Power Meter BOONTON	4232A	94901	2021/6/16	2022/6/15
Power Sensor BOONTON	51011-EMC	32807	2021/6/16	2022/6/15
Pressure-field Microphone B&K	4192	3073928	2021/8/12	2022/8/11
RF Generator TESEQ	ITS 6006	37543	2021/5/19	2022/5/18
RS antenna schwarzbeck mess-elektronik	STLP 9129	9129068	NA	NA
Software BVADT	RS_V7.6	NA	NA	NA
Software BVADT	BV ADT_ABMS_V7.4.3	NA	NA	NA
Two channel microphone conditioning amplifier B&K	2690 A OS2	2645274	2021/5/16	2022/5/15

Notes:

1. The test was performed in Linkou RS Room No.1.
2. Tested Date: 2022/1/20

4.9 Fast Transients Common Mode (EFT)

Description Manufacturer	Model No.	Serial No.	Calibrated Date	Calibrated Until
Burst generator Haefely	PEFT 4010	154954	2021/4/7	2022/4/6

Notes:

1. The test was performed in Linkou EFT Room.
2. Tested Date: 2022/1/21

4.10 Surges

Description Manufacturer	Model No.	Serial No.	Calibrated Date	Calibrated Until
Coupling Decoupling Network EMC-Partner	CDN-UTP8	045	NA	NA
EMS Simulator KeyTek	EMCPro	9902207	2021/5/7	2022/5/6
Software	CEWare32	NA	NA	NA

Notes:

1. The test was performed in Linkou EMS Room No.1.
2. Tested Date: 2022/1/20

4.11 Radio Frequency Common Mode (CS)

Description Manufacturer	Model No.	Serial No.	Calibrated Date	Calibrated Until	
Amplifier AR	75A250AM1	306331	NA	NA	
Audio analyzer R&S	UPV	104565	2021/5/18	2022/5/17	
CDN FCC	FCC-801-M5-50A	100018	2022/1/18	2023/1/17	
CDN TESEQ	CDN S200	53490	2021/5/26	2022/5/25	
	CDN S400	52115	2021/6/17	2022/6/16	
CDN Calibration Kit TESEQ	CDN T8S	29459	2021/6/17	2022/6/16	
CDN M2-16Amp FCC	FCC-801-M2-16A	01047	2021/6/17	2022/6/16	
Coupling Decoupling Network TESEQ	CDN M432S	56519	2021/2/25	2022/2/24	
	CDN T2A-10	54942	2021/2/25	2022/2/24	
	CDN T400A	49918	2021/2/25	2022/2/24	
	CDN T800	34428	2021/6/17	2022/6/16	
	CDN T8-10	CDN T8-230	40376	2021/6/17	2022/6/16
			56641	2021/2/25	2022/2/24
			56642	2021/2/25	2022/2/24
	CDN ST08A	CDN S751A	56643	2021/2/25	2022/2/24
			56527	2021/2/25	2022/2/24
	CDN S751A	CDN M1/32A	56525	2021/2/25	2022/2/24
			56435	2021/2/25	2022/2/24
	CDN S751A	CDN M232	56436	2021/2/25	2022/2/24
37702			2021/6/17	2022/6/16	
Coupling/Dcoupling Network EM TEST	CDN M1/32A	306508	2021/6/17	2022/6/16	
Coupling/Dcoupling Network TESEQ	CDN M332	41258	2021/6/17	2022/6/16	
		41256	2021/6/17	2022/6/16	
		361	2021/8/8	2022/8/7	
Current Clamp FCC	F-120-9A	361	2021/8/8	2022/8/7	
Digital Sweep Function Generator Topward	8120	984801	NA	NA	



Ear Simulator Telephonometry B&K	4185	2553594	NA	NA
FCC EM Injection Clamp FCC	F-203I-23mm	455	NA	NA
Mouth Simulator B&K	4227	2630632	NA	NA
POWER AMPLIFIER B&K	2716C	2610979	NA	NA
Power Meter R & S	NRVD	837794/040	2021/10/19	2022/10/18
Power Sensor R & S	NRV-Z5	837878/039	2021/10/19	2022/10/18
Pressure-field Microphone B&K	4192	3073928	2021/8/12	2022/8/11
R&S SML03 S.G R&S	SML03	101801	2022/1/11	2023/1/10
Software BVADT	CS_V7.4.2	NA	NA	NA
Software BVADT	ABMS_V7.4.3	NA	NA	NA
Two channel microphone conditioning amplifier B&K	2690 OS2	3001996	2021/11/17	2022/11/16

Notes:

1. The test was performed in Linkou CS Room No.1.
2. Tested Date: 2022/1/21

4.12 Power Frequency Magnetic Field (PFMF)

Description Manufacturer	Model No.	Serial No.	Calibrated Date	Calibrated Until
F.W.BELL 4190 Gaussmeter F.W. Bell	4190	0743043	2021/4/8	2022/4/7
Magnetic Field Test System Haefely Trench AG	MAG 100	083794-06	NA	NA

Notes:

1. The test was performed in Linkou EMS Room No.1.
2. Tested Date: 2022/1/21

4.13 Voltage Dips and Interruptions (DIP)

Description Manufacturer	Model No.	Serial No.	Calibrated Date	Calibrated Until
EMS Simulator KeyTek	EMCPro	9902207	2021/5/7	2022/5/6
Harmonics and Flicker Analyzer TESEQ	PROFLINE 2105	1632A00983&1639A01863	2021/6/8	2022/6/7
Software	WIN2120	NA	NA	NA

Notes:

1. The test was performed in Linkou EMS Room No.1.
2. Tested Date: 2022/1/21

5 Limits of Test Items

5.1 Conducted Emissions from Power Ports

For AC mains power input/output Port

Frequency (MHz)	Class A (dB μ V)		Class B (dB μ V)	
	Quasi-peak	Average	Quasi-peak	Average
0.15 - 0.5	79	66	66 - 56	56 - 46
0.50 - 5.0	73	60	56	46
5.0 - 30.0	73	60	60	50

- Notes: 1. The lower limit shall apply at the transition frequencies.
 2. The limit decreases linearly with the logarithm of the frequency in the range of 0.15 to 0.50 MHz.

5.2 Conducted Emissions from Wired Network Ports

Frequency (MHz)	Coupling Device	Class A				Class B			
		Voltage Limit (dBuV)		Current limits (dBuA)		Voltage Limit (dBuV)		Current limits (dBuA)	
		Quasi-peak	Average	Quasi-peak	Average	Quasi-peak	Average	Quasi-peak	Average
0.15-0.5	Using AAN	97-87	84-74	-	-	84-74	74-64	-	-
0.5-30		87	74	-	-	74	64	-	-
0.15-0.5	Using CVP and Current probe	97-87	84-74	53-43	40-30	84-74	74-64	40-30	30-20
0.5-30		87	74	43	30	74	64	30	20
0.15-0.5	Using a 150 Ω load	-	-	53-43	40-30	-	-	40-30	30-20
0.5-30		-	-	43	30	-	-	30	20

Note: The limits decrease linearly with the logarithm of the frequency in the range 0.15 MHz to 0.5 MHz.

5.3 Radiated Emissions up to 1 GHz

Frequency (MHz)	Class A		Class B	
	Quasi-peak (dBuV/m)		Quasi-peak (dBuV/m)	
	at 3m	at 10m	at 3m	at 10m
30 - 230	50	40	40	30
230 - 1000	57	47	47	37

- Notes: 1. The lower limit shall apply at the transition frequencies.
 2. Emission level (dBuV/m) = 20 log Emission level (uV/m).
 3. All emanations from a class A/B digital device or system, including any network of conductors and apparatus connected thereto, shall not exceed the level of field strengths specified above.

5.4 Radiated Emissions above 1 GHz

Frequency (GHz)	Class A (dBuV/m) (at 3m)		Class B (dBuV/m) (at 3m)	
	Average	Peak	Average	Peak
1 to 3	56	76	50	70
3 to 6	60	80	54	74

- Notes: 1. The lower limit shall apply at the transition frequencies.
 2. Emission level (dBuV/m) = 20 log Emission level (uV/m).
 3. All emanations from a class A/B digital device or system, including any network of conductors and apparatus connected thereto, shall not exceed the level of field strengths specified above.

Frequency Range of Radiated Measurement (For unintentional radiators)

Highest internal frequency (F_x) (MHz)	Highest measurement frequency (F_M) (GHz)
$F_x \leq 108 \text{ MHz}$	1
$108 \text{ MHz} < F_x \leq 500 \text{ MHz}$	2
$500 \text{ MHz} < F_x \leq 1 \text{ GHz}$	5
$F_x > 1 \text{ GHz}$	$5 \times F_x$ up to a maximum of 6 GHz

F_x is the highest fundamental frequency generated and/or used in the ITE or digital apparatus under test.

5.5 Harmonic Current Measurement

Limits for Class A equipment		Limits for Class D equipment		
Harmonic Order n	Max. permissible harmonics current A	Harmonic Order n	Max. permissible harmonics current per watt mA/W	Max. permissible harmonics current A
Odd harmonics		Odd Harmonics only		
3	2.30	3	3.4	2.30
5	1.14	5	1.9	1.14
7	0.77	7	1.0	0.77
9	0.40	9	0.5	0.40
11	0.33	11	0.35	0.33
13	0.21	13	0.30	0.21
$15 \leq n \leq 39$	$0.15 \times 15/n$	$15 \leq n \leq 39$	$3.85/n$	$0.15 \times 15/n$
Even harmonics				
2	1.08			
4	0.43			
6	0.30			
$8 \leq n \leq 40$	$0.23 \times 8/n$			

Note: 1. Class A and Class D are classified according to section 5 of EN 61000-3-2.

1. According to section 7 of EN 61000-3-2, the above limits for all equipment except for lighting equipment having an active input power > 75 W and no limits apply for equipment with an active input power up to and including 75 W.

Classification of equipment

Class A	Class B	Class C	Class D
Balanced three-phase equipment; Household appliances excluding equipment as Class D; Tools excluding portable tools; Dimmers for incandescent lamps; Audio equipment; Equipment not specified in one of the three other classes.	Portable tools; Arc welding equipment which is not professional equipment.	Lighting equipment.	Equipment having a specified power less than or equal to 600 W of the following types: Personal computers and personal computer monitors; Television receivers; Refrigerators and freezers having one or more variable-speed drives to control compressor motor(s).

5.6 Voltage Fluctuations and Flicker Measurement

Test Item	Limit	Note
P_{st}	1.0	P_{st} means short-term flicker indicator.
P_{lt}	0.65	P_{lt} means long-term flicker indicator.
T_{dt} (ms)	500	T_{dt} means maximum time that $d(t)$ exceeds 3.3 %.
d_c (%)	3.3%	d_c means relative steady-state voltage change
d_{max} (%)		d_{max} means maximum relative voltage change. Control Method of Equipment (see below)
	4%	■ - without additional conditions
	6%	□ - switched manually, or - switched automatically more frequently than twice per day, and also has either a delayed restart (the delay not less than a few tens of seconds), or manual restart, after a power supply interruption
	7%	□ - attended whilst in use (for example: hair dryers, vacuum cleaners, kitchen equipment such as mixers, garden equipment such as lawn mowers, portable tools such as electric drills), or switched on automatically, or - is intended to be switched on manually, no more than twice per day, and also has either a delayed restart (the delay being not less than a few tens of seconds) or manual restart, after a power supply interruption.

5.7 General immunity requirements

Port	Basic Standard	Test item	Test specification	Performance criteria	
Power input (AC)	IEC 61000-4-4	Fast Transients, Common Mode (EFT)	±1 kV 5/50 ns (Tr/Th) 5 kHz, repetition frequency	B	
	IEC 61000-4-5	Surge	Line to line: ±1 kV, 1.2/50 µs Line to earth: ±2 kV, 1.2/50 µs	B	
	IEC 61000-4-6	Radio Frequency, Common Mode (CS)	0.15-10 MHz, 3V, 80% AM (1kHz), 10-30 MHz, 3V-1V, 80% AM (1kHz), 30-80 MHz, 1V, 80% AM (1kHz),	A	
	IEC 61000-4-11	Voltage dips and interruptions (DIP)	Voltage Dips: < 5 % residual voltage, 0.5 cycle 70% residual voltage, 25 cycles (at 50Hz) Voltage Interruption: < 5 % residual voltage, 250 cycles (at 50 Hz)	B C C	
DC power/ Wired network and Signal/ Control port	IEC 61000-4-4	Fast Transients, Common Mode (EFT)	±0.5 kV 5/50 ns (Tr/Th) 100 kHz, repetition frequency for xDSL port 5 kHz, repetition frequency for other port	B	
	IEC 61000-4-5	Surge	Wired network ports (directly connected to outdoor cables): Symmetrically operated: 10/700µs w/o primary protectors: ±1.0kV, or with primary protectors fitted: ±1.0kV and ±4.0kV, Coaxial or shielded operated: 1.2/50µs shield to ground: ±0.5 kV,	C B	
			DC power ports (directly connected to outdoor cables): 1.2/50 µs each individual line to earth, or shield to ground: ±0.5 kV,	B	
	IEC 61000-4-6	Broadband impulse noise disturbances (Applicable only to xDSL ports.)	Radio Frequency, Common Mode (CS)	0.15-10 MHz, 3V, 80% AM (1kHz), 10-30 MHz, 3V-1V, 80% AM (1kHz), 30-80 MHz, 1V, 80% AM (1kHz),	A
			Repetitive : Impulse frequency profile : 0.15 – 0.5 MHz, 107 dBuV ; 0.5 – 10 MHz, 107 – 36 dBuV ; 10 – 30 MHz, 36 – 30 dBuV Burst duration : 0.70 ms Burst period :10 ms(for 50 Hz) At least 2 minutes for each port under test. Isolated : Impulse frequency profile : 0.15 –30 MHz, 110 dBuV Burst duration : 0.24 ms, 10 ms and 300 ms Isolated impulses : 5 times Interval : at least 60 seconds	A B	

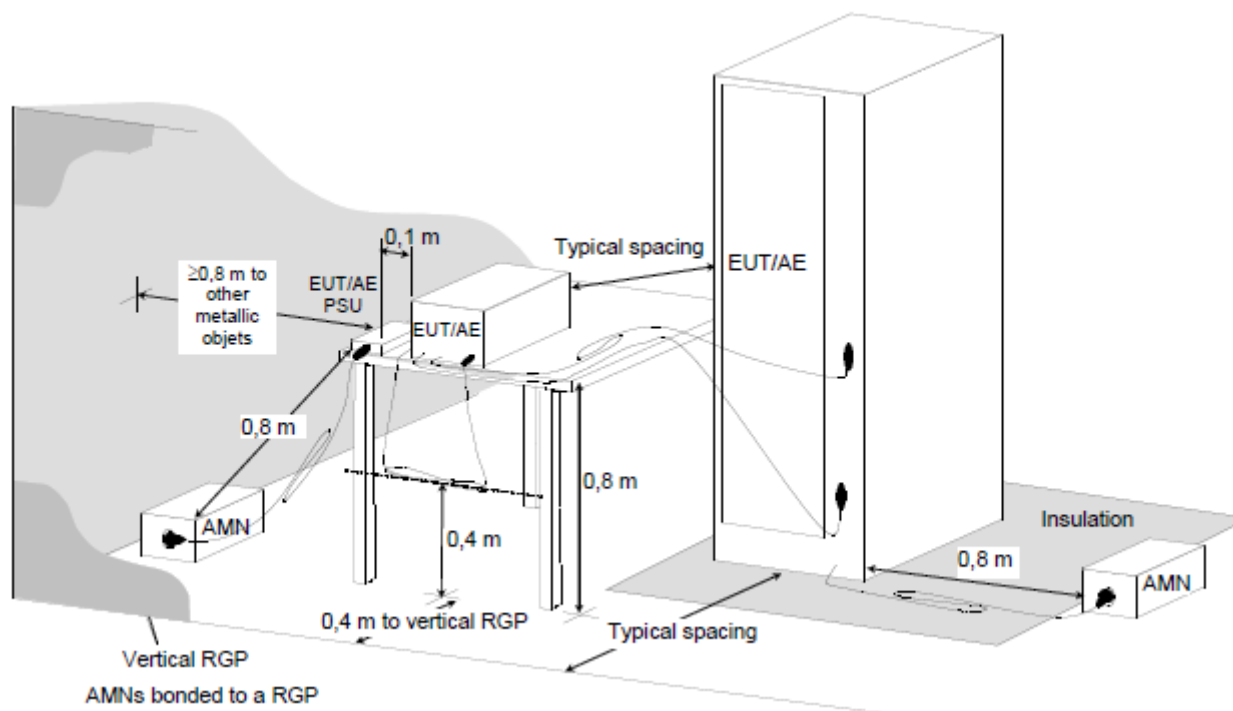
Port	Basic Standard	Test item	Test specification	Performance criteria
Enclosure	IEC 61000-4-2	Electrostatic Discharge (ESD)	±4 kV (contact) ±8 kV (Air)	B
	IEC 61000-4-3	Radio Frequency Electromagnetic Field (RS)	Swept Frequency Test: 80 to 1000(MHz), 3 V/m, 80 % AM (1 kHz) Spot Frequency Test: 1800, 2600, 3500, 5000 MHz (±1 %), 3V/m, 80% AM (1kHz)	A
	IEC 61000-4-8	Power Frequency Magnetic Field (PFMF)	1A/m, 50Hz	A

6 Test Arrangements

6.1 Conducted Emissions from Power Ports

- The EUT is placed 0.4 meters from the conducting wall of the shielded room with EUT being connected to the power mains through a line impedance stabilization network (LISN), or an Artificial Network (AN) as specified in CISPR 25 if uses in a vehicle. Other support units are connected to the power mains through another LISN and/or AN. They provide coupling impedance for the measuring instrument.
- Both lines of the power mains connected to the EUT were checked for maximum conducted interference.
- The test results of conducted emissions at mains ports are recorded of six worst margins for quasi-peak (mandatory) [and average (if necessary)] values against the limits at frequencies of interest unless the margin is 20 dB or greater.

Note: The resolution bandwidth and video bandwidth of test receiver is 9kHz for quasi-peak detection (QP) and average detection (AV) at frequency 0.15MHz-30MHz.



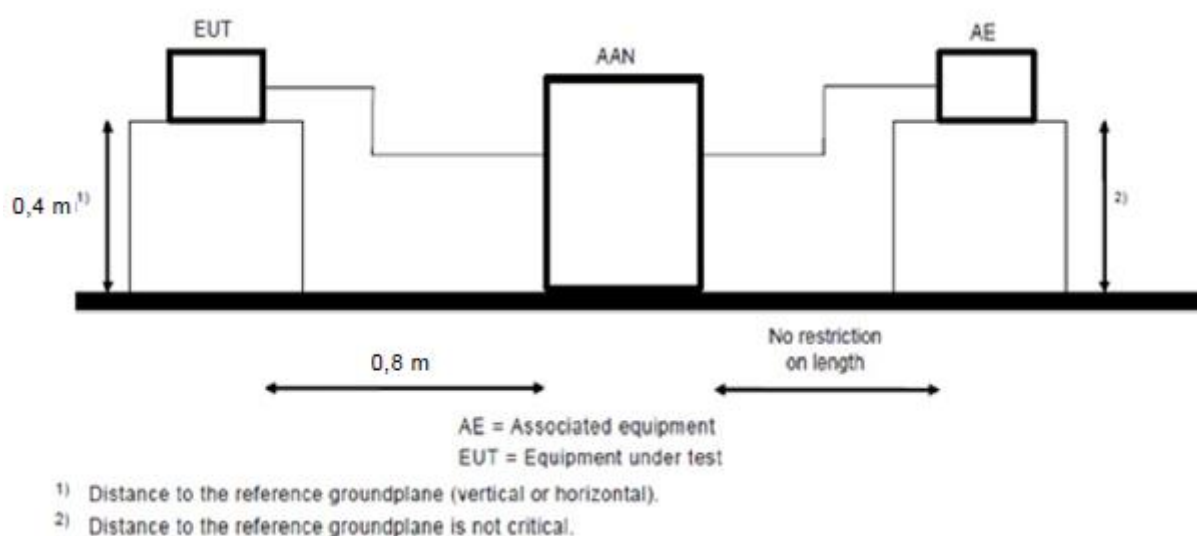
For the actual test configuration, please refer to the related Item – Photographs of the Test Configuration.

6.2 Conducted Emissions from Wired Network Ports

Method of Using AANs:

- The EUT is placed 0.4 meters from the conducting wall of the shielded room and connected to AAN directly to reference ground plane.
- If voltage measurement is used, measure voltage at the measurement port of the AAN, correct the reading by adding the AAN voltage division factor, and compare to the voltage limit.
- It is not necessary to apply the current limit if a AAN is used.
- The test results of disturbance at telecommunication ports are recorded of six worst margins for quasi-peak (mandatory) [and average (if necessary)] values against the limits at frequencies of interest unless the margin is 20 dB or greater.

Note: The resolution bandwidth and video bandwidth of test receiver is 9kHz for quasi-peak detection (QP) and average detection (AV) at frequency 0.15MHz-30MHz.

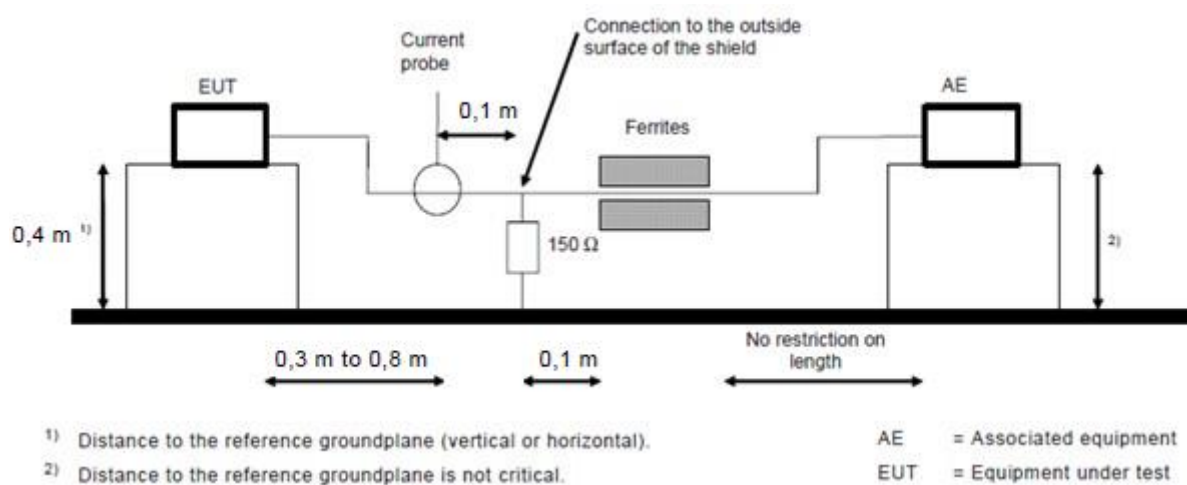


For the actual test configuration, please refer to the related Item – Photographs of the Test Configuration.

Method of Using a 150 Ω load to the outside surface of the shielding cable:

- Breaks the external protective insulation (exposing the shield) and connect a 150Ω resistor from the outside surface of the shield to ground.
- A current probe shall be placed at 0.1 m from the 150Ω resistor. The current probe to EUT horizontal distance is between 0.3 m to 0.8 m.
- If current measurement is used, measure current at the measurement port of the current probe, correct the reading by adding the current probe division factor, and compare to the current limit.
- It is not necessary to apply the voltage limit if a current probe is used.
- The test results of disturbance at telecommunication ports are recorded of six worst margins for quasi-peak (mandatory) [and average (if necessary)] values against the limits at frequencies of interest unless the margin is 20 dB or greater.

Note: The resolution bandwidth and video bandwidth of test receiver is 9kHz for quasi-peak detection (QP) and average detection (AV) at frequency 0.15MHz-30MHz.

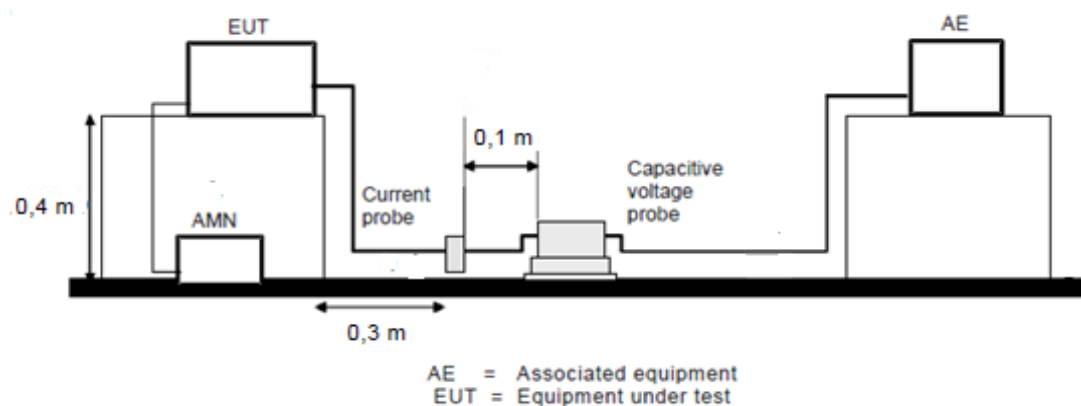


For the actual test configuration, please refer to the related Item – Photographs of the Test Configuration.

Method of Using a combination of current probe and capacitive voltage probe:

- a. Measure current with a current probe.
- b. Compare the measured current with the applicable current limit.
- c. Measure voltage with a capacitive voltage probe as specified in 5.2.2 of CISPR 16-1-2.
- d. Adjust the measured voltage as follows:
 - current margin ≤ 6 dB – subtract the actual current margin from measured voltage;
 - current margin > 6 dB – subtract 6 dB from measured voltage.
- e. Compare adjusted voltage with the applicable voltage limit
- f. Both the measured current and the adjusted voltage shall be below the applicable
- g. The test results of disturbance at telecommunication ports are recorded of six worst margins for quasi-peak (mandatory) [and average (if necessary)] values against the limits at frequencies of interest unless the margin is 20 dB or greater.

Note: The resolution bandwidth and video bandwidth of test receiver is 9kHz for quasi-peak detection (QP) and average detection (AV) at frequency 0.15MHz-30MHz.

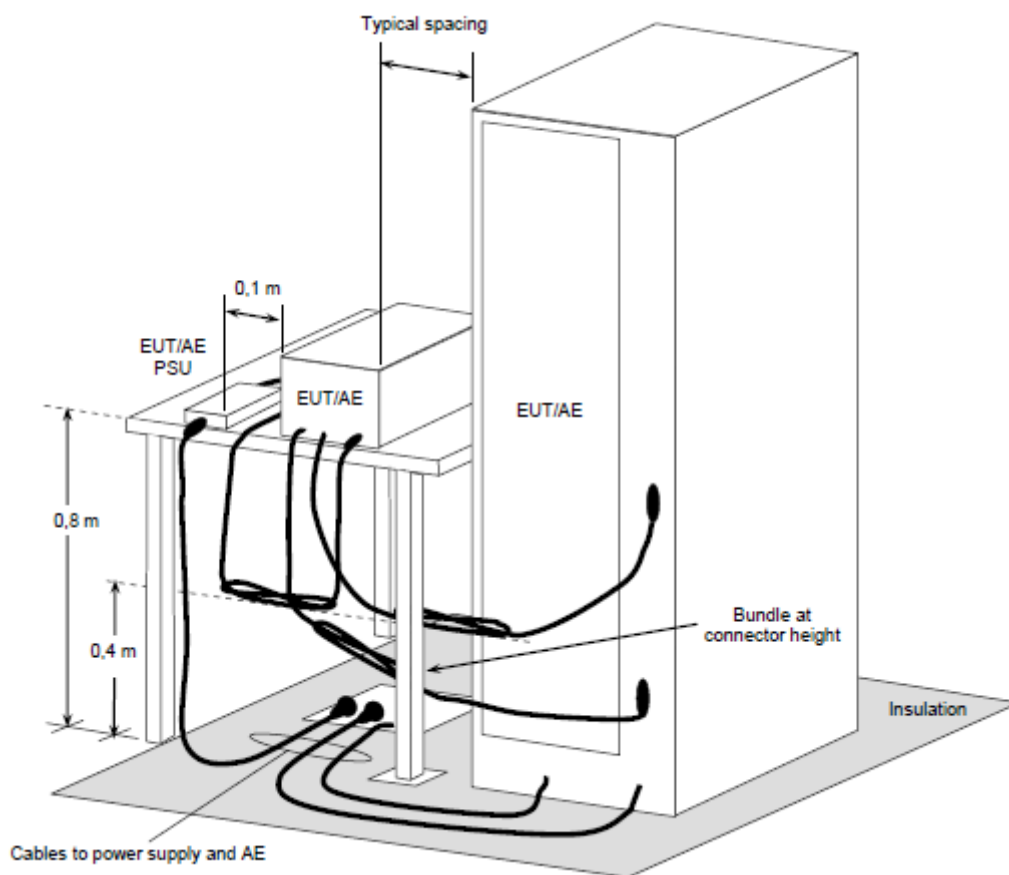


For the actual test configuration, please refer to the related Item – Photographs of the Test Configuration.

6.3 Radiated Emissions up to 1 GHz

- For the table-top EUT is placed on a 0.8 meter to the top of rotating table; for the the floor standing EUT shall be insulated (by insulation of maximum thickness of 150 mm) from the horizontal reference ground plane. The rotating table is rotated 360 degrees to determine the position of the highest radiation. If the equipment requires a dedicated ground connection, this shall be provided and bonded to the RGP.
- The EUT is set 10 meters for 0.03 GHz to 1 GHz away from the interference-receiving antenna, which is mounted on the top of a variable-height antenna tower.
- The antenna is a broadband antenna, and its height is varied from one meter to four meters above the ground to determine the maximum value of the field strength. Both horizontal and vertical polarizations of the antenna are set to make the measurement.
- For each suspected emission, the EUT is arranged to its worst case and then the antenna is tuned to heights from 1 m to 4 m and the rotatable table was turned from 0 degrees to 360 degrees to find the maximum reading.
- The test-receiver system is set to quasi-peak detect function and specified bandwidth with maximum hold mode when the test frequency is up to 1 GHz.

Note: The resolution bandwidth and video bandwidth of test receiver/spectrum analyzer is 120kHz for quasi-peak detection (QP) at frequency up to 1GHz.

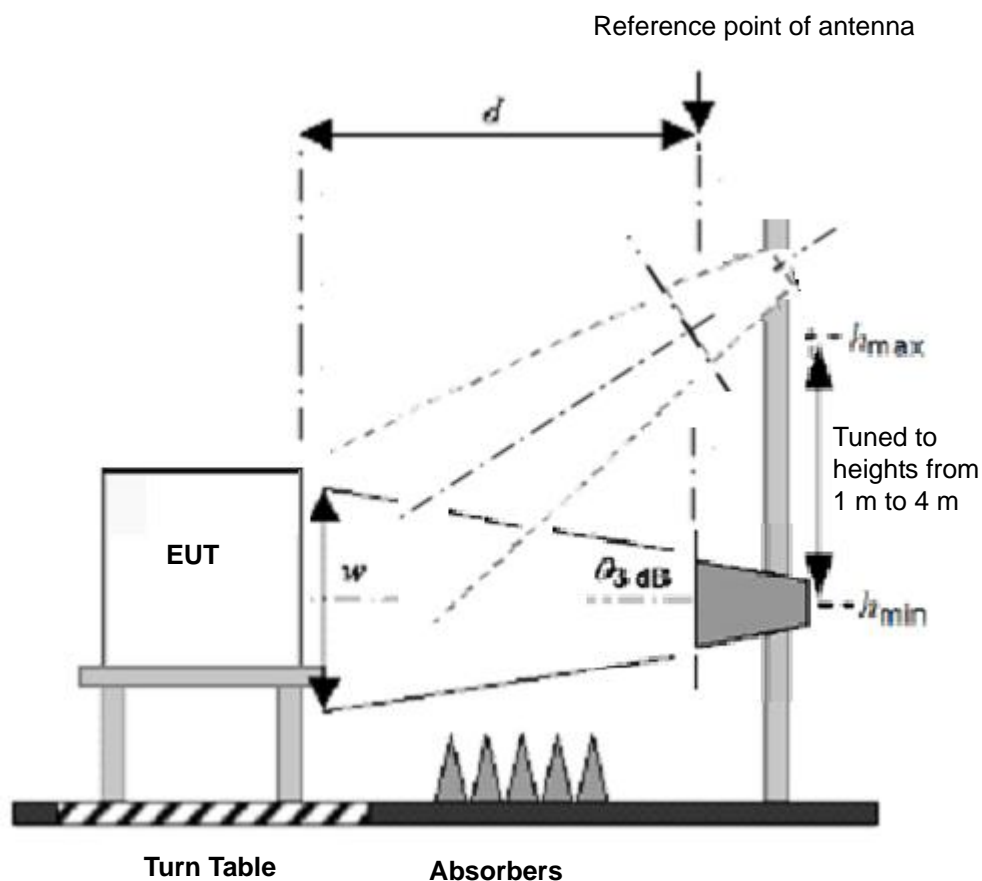


For the actual test configuration, please refer to the related Item – Photographs of the Test Configuration.

6.4 Radiated Emissions above 1 GHz

- For the table-top EUT is placed on a 0.8 meter to the top of rotating table; for the the floor standing EUT shall be insulated (by insulation of 12 mm) from the horizontal reference ground plane. The rotating table is rotated 360 degrees to determine the position of the highest radiation. If the equipment requires a dedicated ground connection, this shall be provided and bonded to the RGP.
- The EUT was set $d = 3$ meters for 1 GHz to 5 GHz away from the interference-receiving antenna, which was mounted on the top of a variable-height antenna tower.
- The height of antenna can be varied from one meter to four meters, the height of adjustment depends on the EUT height and the antenna 3dB beamwidth both, to detect the maximum value of the field strength. Both horizontal and vertical polarizations of the antenna are set to make the measurement.
- For each suspected emission, the EUT was arranged to its worst case and then the antenna was tuned to heights and the rotatable table was turned from 0 degrees to 360 degrees to find the maximum reading.
- The spectrum analyzer system was set to peak and average detects function and specified bandwidth with maximum hold mode when the test frequency is above 1 GHz.

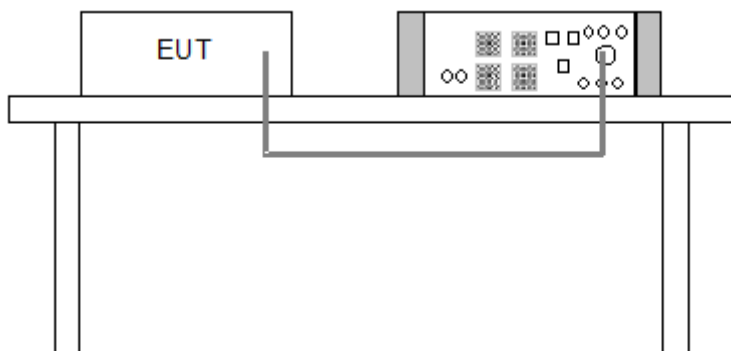
Note: The resolution bandwidth of test receiver/spectrum analyzer is 1MHz and video bandwidth is 3MHz for Peak detection (PK) at frequency above 1GHz. The resolution bandwidth of test receiver/spectrum analyzer is 1 MHz for Average detection (AV) at frequency above 1GHz.



For the actual test configuration, please refer to the related item – Photographs of the Test Configuration.

6.5 Harmonic Current Measurement

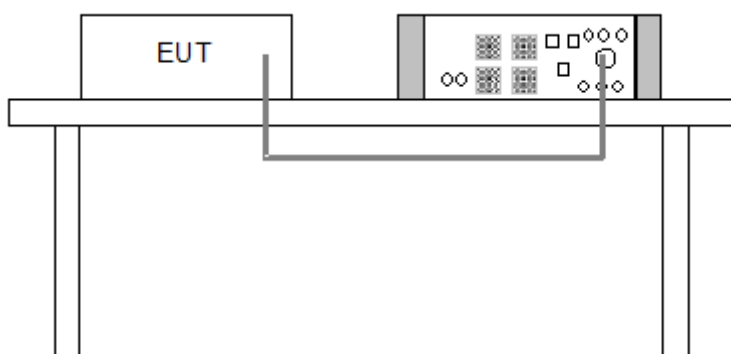
- The harmonic current limits apply to line currents and not to currents in the neutral conductor. Nevertheless, for single-phase equipment, it is permissible to measure the currents in the neutral conductor instead of the currents in the line.
- The EUT is tested as presented by, and in accordance with information provided by, the manufacturer. Preliminary operation of motor drives by the manufacturer may be needed before the tests are undertaken to ensure that results correspond with normal use.
- In all configurations, the use of additional load shall not cause the total output power available to be exceeded.
- The correspondent test program of test instrument to measure the current harmonics emanated from EUT is chosen. The measure time shall be not less than the time necessary for the EUT to be exercised.



For the actual test configuration, please refer to the related Item – Photographs of the Test Configuration.

6.6 Voltage Fluctuations and Flicker Measurement

- Controls or automatic programs of the EUT shall be set to produce the most unfavourable sequence of voltage changes, using only those combinations of controls and programmes which are mentioned by the manufacturer in the instruction manual, or are otherwise likely to be used.
- Preliminary operation of motor drives may be needed before the tests to ensure that results corresponding to those of normal use are obtained.
- During the flick measurement, the measure time shall include that part of whole operation cycle in which the EUT produce the most unfavorable sequence of voltage changes. The observation period for short-term flicker indicator is 10 minutes and the observation period for long-term flicker indicator is 2 hours.



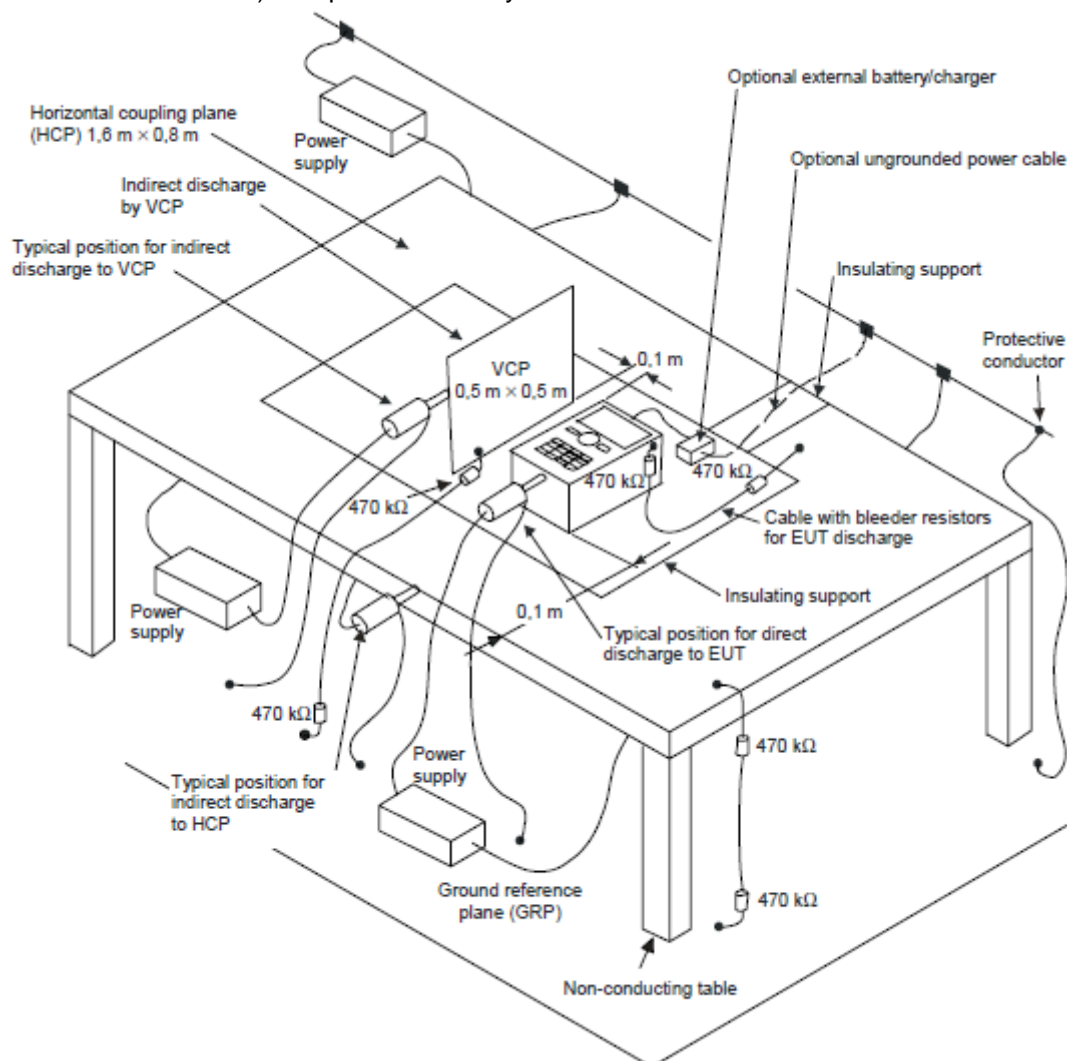
For the actual test configuration, please refer to the related Item – Photographs of the Test Configuration.

6.7 Electrostatic Discharges (ESD)

Discharge Impedance:	330 ohm / 150 pF
Number of Discharge:	Air – Direct: 10 discharges per location (each polarity) Contact – Direct & Indirect: 10 discharges per location (each polarity)
Discharge Period:	1-second minimum

The basic test procedure was in accordance with EN/IEC 61000-4-2:

- Electrostatic discharges were applied only to those points and surfaces of the EUT that are accessible to users during normal operation.
- The test was performed with at least ten single discharges on the pre-selected points in the most sensitive polarity.
- The time interval between two successive single discharges was at least 1 second.
- The ESD generator was held perpendicularly to the surface to which the discharge was applied and the return cable was at least 0.2 meters from the EUT.
- Contact discharges were applied to the non-insulating coating, with the pointed tip of the generator penetrating the coating and contacting the conducting substrate.
- Air discharges were applied with the round discharge tip of the discharge electrode approaching the EUT as fast as possible (without causing mechanical damage) to touch the EUT. After each discharge, the ESD generator was removed from the EUT and re-triggered for a new single discharge. The test was repeated until all discharges were complete.
- At least ten single discharges (in the most sensitive polarity) were applied to the **Horizontal Coupling Plane** at points on each side of the EUT. The ESD generator was positioned at a distance of 0.1 meters from the EUT with the discharge electrode touching the **HCP**.
- At least ten single discharges (in the most sensitive polarity) were applied to the center of one vertical edge of the **Vertical Coupling Plane** in sufficiently different positions that the four faces of the EUT were completely illuminated. The **VCP** (dimensions 0.5m x 0.5m) was placed vertically to and 0.1 meters from the EUT.



For the actual test configuration, please refer to the related item – Photographs of the Test Configuration.

NOTE:

TABLE-TOP EQUIPMENT

The configuration consisted of a wooden table 0.8 meters high standing on the **Ground Reference Plane**. The **GRP** consisted of a sheet of aluminum at least 0.25mm thick, and 2.5 meters square connected to the protective grounding system. A **Horizontal Coupling Plane** (1.6m x 0.8m) was placed on the table and attached to the **GRP** by means of a cable with 940k Ω total impedance. The equipment under test, was installed in a representative system as described in section 7 of EN/IEC 61000-4-2, and its cables were placed on the **HCP** and isolated by an insulating support of 0.5mm thickness. A distance of 1-meter minimum was provided between the EUT and the walls of the laboratory and any other metallic structure.

FLOOR-STANDING EQUIPMENT

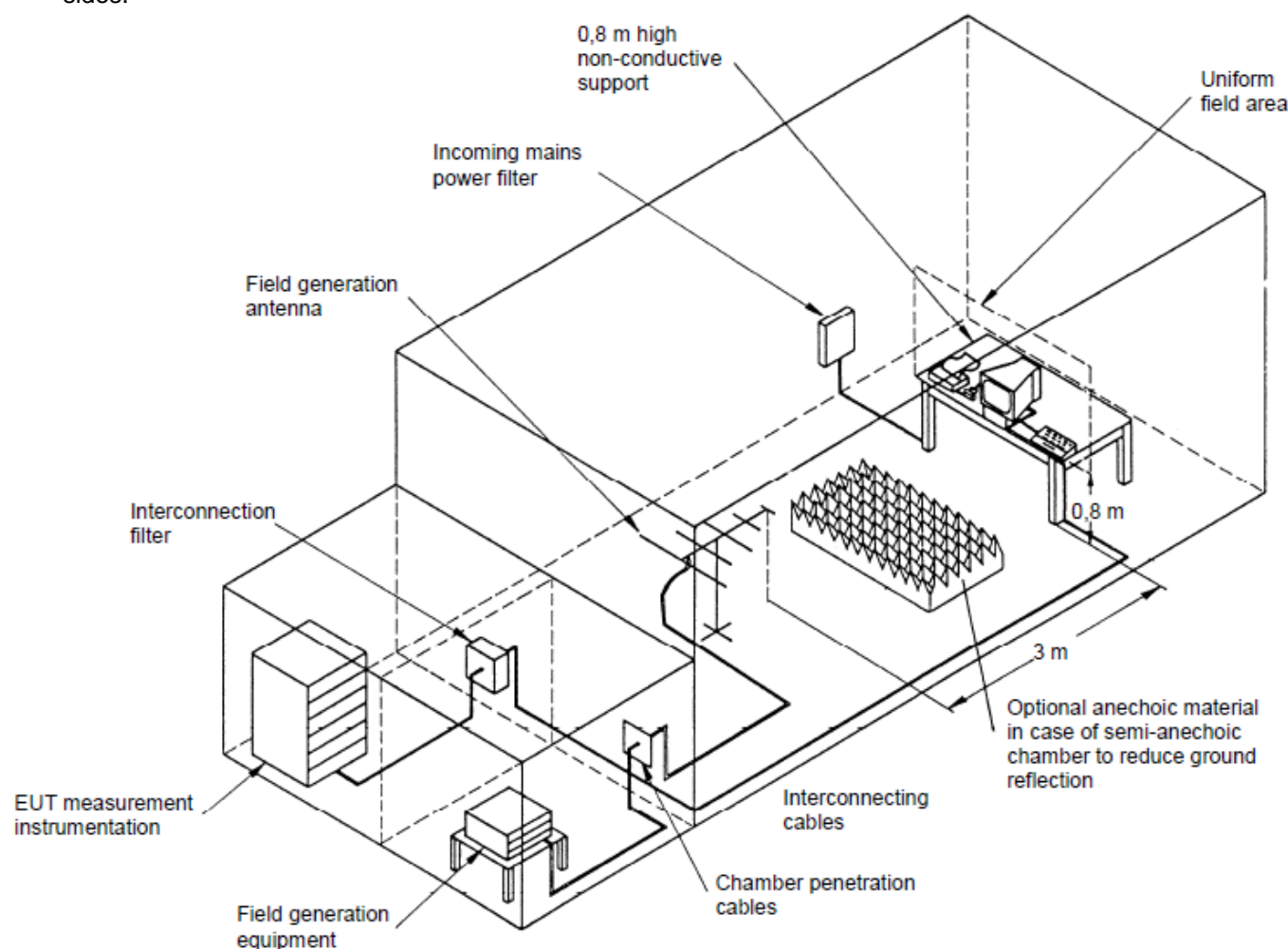
The equipment under test was installed in a representative system as described in section 7 of IEC 61000-4-2, and its cables were isolated from the Ground Reference Plane by an insulating support of 0.1-meter thickness. The GRP consisted of a sheet of aluminum that is at least 0.25mm thick, and 2.5 meters square connected to the protective grounding system and extended at least 0.5 m.

6.8 Radio Frequency Electromagnetic Field (RS)

Modulation:	1kHz Sine Wave, 80%, AM Modulation
Frequency Step:	1 % of preceding frequency value
Dwell Time:	3 seconds

The test procedure was in accordance with EN/IEC 61000-4-3.

- The testing was performed in a modified semi-anechoic chamber.
- The frequency range shall be swept, with the signal 80% amplitude modulated with a 1kHz sine wave.
- The test was performed with the EUT exposed to both vertically and horizontally polarized fields on each of the four sides.



For the actual test configuration, please refer to the related item – Photographs of the Test Configuration.

NOTE:

TABLETOP EQUIPMENT

The EUT installed in a representative system as described in section 7 of EN/IEC 61000-4-3 was placed on a non-conductive table 0.8 meters in height. The system under test was connected to the power and signal wire according to relevant installation instructions.

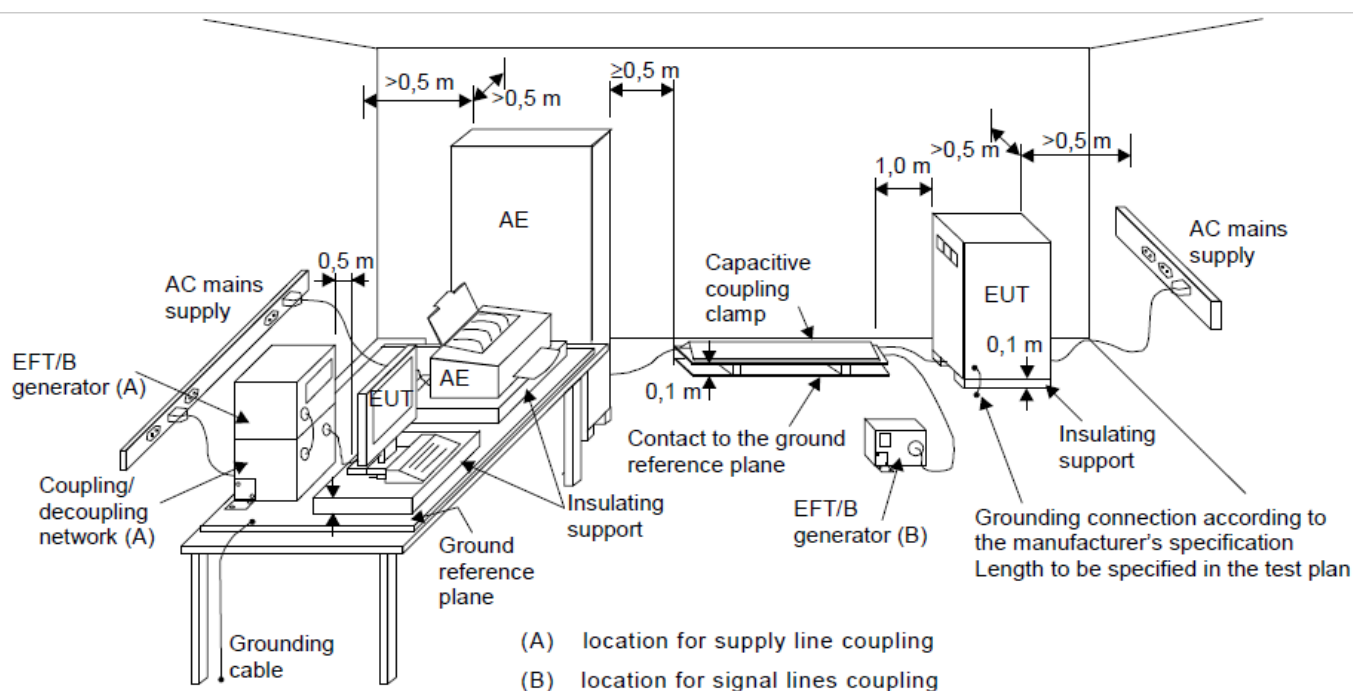
FLOOR STANDING EQUIPMENT

The EUT installed in a representative system as described in section 7 of EN/IEC 61000-4-3 was placed on a non-conductive wood support 0.1 meters in height. The system under test was connected to the power and signal wire according to relevant installation instructions.

6.9 Fast Transients Common Mode (EFT)

Impulse Repetition Frequency:	xDSL telecommunication port: 100kHz others: 5kHz
Impulse Wave Shape:	5/50 ns
Burst Duration:	0.75 ms for 100kHz Repetition Frequency 15 ms for 5kHz Repetition Frequency
Burst Period:	300 ms
Test Duration:	1 min.

- Both positive and negative polarity discharges were applied.
- The distance between any coupling devices and the EUT should be 0.5 m for table-top equipment testing, and 1.0 m for floor standing equipment.
- The duration time of each test sequential was 1 minute.
- The transient/burst waveform was in accordance with EN/IEC 61000-4-4, 5/50 ns.



For the actual test configuration, please refer to the related item – Photographs of the Test Configuration.

6.10 Surges

Wave-Shape:	Wired network ports (direct to outdoor cables): Symmetrically operated: 10/700 μ s Open Circuit Voltage 5/320 μ s Short Circuit Current Non-symmetrically operated: 1.2/50 μ s Open Circuit Voltage 8/20 μ s Short Circuit Current Shielded cables (direct to outdoor cables): 1.2/50 μ s Open Circuit Voltage 8/20 μ s Short Circuit Current Wired network ports (indoor cables, longer than 30m): 1.2/50 μ s Open Circuit Voltage 8/20 μ s Short Circuit Current Input DC power port (direct to outdoor cables): 1.2/50 μ s Open Circuit Voltage 8/20 μ s Short Circuit Current Input AC power port: 1.2/50 μ s Open Circuit Voltage 8/20 μ s Short Circuit Current
Pulse Repetition Rate:	20 sec.
Number of Tests:	5 positive and 5 negative at selected points

a. EUT Power ports:

The surge shall be applied to the EUT power supply terminals via the capacitive coupling network. Decoupling networks are required in order to avoid possible adverse effects on equipment not under test that may be powered by the same lines and to provide sufficient decoupling impedance to the surge wave. The power cord between the EUT and the coupling network shall not exceed 2 meters in length.

For double-insulated products without PE or external earth connections, the test shall be done in a similar way as for grounded products but without adding any additional external grounded connections. If there are no other possible connections to earth, line-to-ground tests may be omitted.

b. Wired network ports

- Unshielded unsymmetrical interconnection lines:

The coupling / decoupling networks shall not influence the specified functional conditions of the EUT. The interconnection line between the EUT and the coupling network shall not exceed 2 meters in length.

No line-to-ground surges are applied for double-insulated products (i.e. products without any dedicated earth terminal).

- Unshielded symmetrical interconnection lines:

For symmetrical interconnection lines and high-speed interconnection lines, the CDN shall be selected to match the number of lines/pairs existing the cable. If coupling arrestors are use, test levels below the ignition point of the coupling arrestor cannot be specified.

The interconnection line between the EUT and the coupling/decoupling networks shall not exceed 2 meters in length.

In order to avoid the coupling and decoupling capacitors having a filtering effect on the data transfer, a balanced high frequency design associating the coupling capacitors with coupling chokes is required. Where normal functioning of high speed communications lines cannot be achieved because of the impact of the CDN on the EUT, product committees should specify appropriate operation or that no surge immunity test is required.

- Shielded lines:

The EUT is isolated from ground and the surge is applied to its metallic enclosure; the termination (or auxiliary equipment) at the port(s) under test is grounded. This test applies to equipment with one or more shielded cables.

The length of the cable between the port(s) under test and the device attached to the other end of the cable (AE in Figure 12) shall be:

- 20 m (preferred length) or,

- the shortest length over 10 m, where the manufacturer provides pre-assembled cables used in actual installations.

No test shall be required for cables which according to the manufacturer's specification are ≤ 10 m.

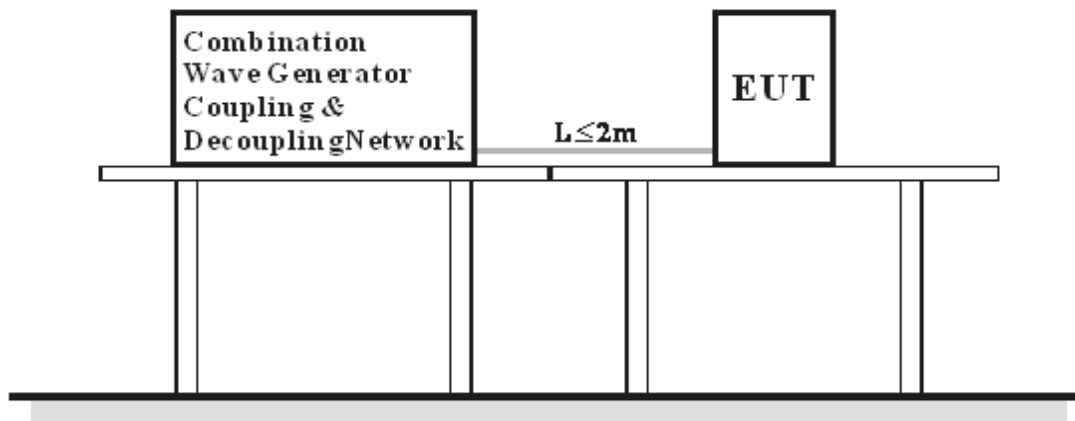
Rules for application of the surge to shielded lines:

- a) Shields grounded at both ends:
- the test shall be carried out.

The test level is applied on shields with a 2Ω generator source impedance and with the $18 \mu\text{F}$ capacitor.

- b) Shields grounded at one end:
- the test shall be carried out according to unshielded unsymmetrical interconnection lines or unshielded symmetrical interconnection lines because the shield does not provide any protection against surges induced by magnetic fields.

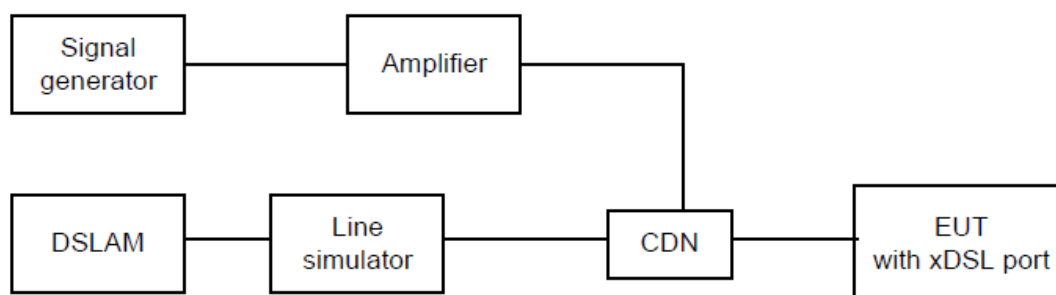
For EUTs which do not have metallic enclosures, the surge is applied directly to the shielded cable at the EUT side.



For the actual test configuration, please refer to the related item – Photographs of the Test Configuration.

Broadband impulse noise disturbances, Repetitive and Isolated (Applicable only to xDSL ports.)

- a. The EUT shall be tested within its intended operating and climatic conditions.
- b. An artificial hand was placed on the hand-held accessory and connected to the ground reference plane.
- c. One of the CDNs not used for injection was terminated with 50 ohm, providing only one return path. All other CDNs were coupled as decoupling networks.
- d. For the repetitive impulse test the disturbance shall be applied for a period of at least 2 minutes for each port under test.
- e. For the isolated impulse test a minimum of 5 isolated impulses shall be applied with an interval of at least 60 seconds between successive impulses.
- f. Attempts should be made to fully exercise the EUT during testing, and to fully interrogate all exercise modes selected for susceptibility.



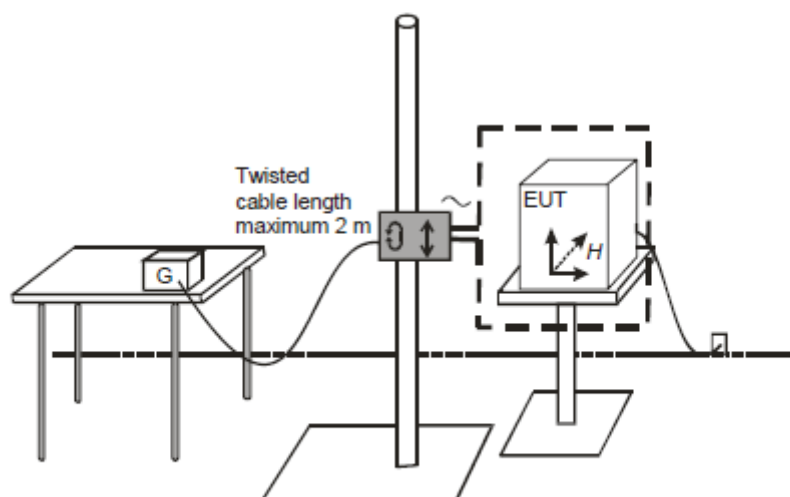
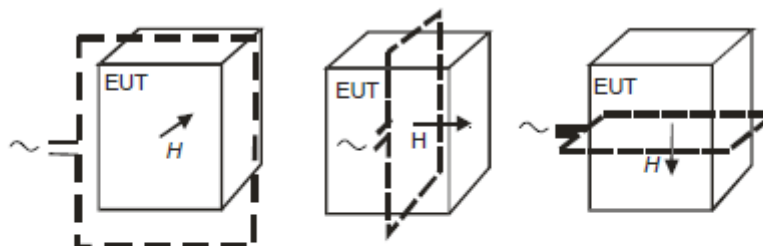
Example schematic of the broadband impulsive conducted disturbances test setup

For the actual test configuration, please refer to the related item – Photographs of the Test Configuration.

6.12 Power Frequency Magnetic Field (PFMF)

Observation Time:	1 minute
Inductance Coil:	Rectangular coil, 1 m x 1 m (L x W)

- The equipment is configured and connected to satisfy its functional requirements.
- The power supply, input and output circuits shall be connected to the sources of power supply, control and signal.
- The cables supplied or recommended by the equipment manufacturer shall be used. 1 meter of all cables used shall be exposed to the magnetic field.

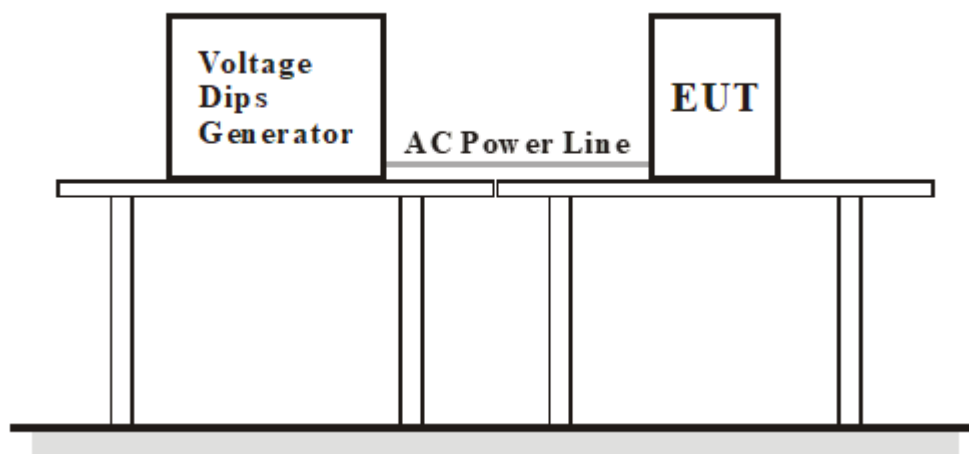


For the actual test configuration, please refer to the related item – Photographs of the Test Configuration.

6.13 Voltage Dips and Interruptions (DIP)

Interval between Event:	10 seconds
Sync Angle (degrees):	0° / 180°
Test Cycle:	3 times

- a. The test shall be performed with the EUT connected to the test generator with the shortest power supply cable as specified by the EUT manufacturer. If no cable length is specified, it shall be the shortest possible length suitable to the application of the EUT.
- b. The EUT shall be tested for each selected combination of test levels and duration with a sequence of 3 dips/interruptions with intervals of 10 s minimum (between each test event). Each representative mode of operation shall be tested. Abrupt changes in supply voltage shall occur at 0 voltage crossover point of the voltage waveform.



For the actual test configuration, please refer to the related item – Photographs of the Test Configuration.

7 Test Results of Test Item

7.1 Conducted Emissions from Power Ports

Mode A

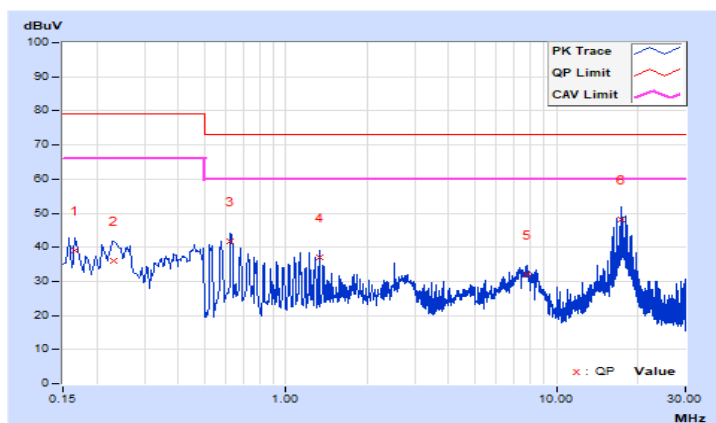
Frequency Range	150kHz ~ 30MHz	Detector Function & Resolution Bandwidth	Quasi-Peak (QP) / Average (AV), 9kHz
Input Power	110Vac, 60Hz	Environmental Conditions	17 °C, 66 % RH
Tested by	John Liao		

Phase Of Power : Line (L)

No	Frequency (MHz)	Correction Factor (dB)	Reading Value (dBuV)		Emission Level (dBuV)		Limit (dBuV)		Margin (dB)	
			Q.P.	AV.	Q.P.	AV.	Q.P.	AV.	Q.P.	AV.
1	0.16596	9.63	29.36	21.20	38.99	30.83	79.00	66.00	-40.01	-35.17
2	0.22980	9.63	26.35	19.32	35.98	28.95	79.00	66.00	-43.02	-37.05
3	0.62369	9.65	32.20	25.11	41.85	34.76	73.00	60.00	-31.15	-25.24
4	1.33790	9.68	27.23	21.52	36.91	31.20	73.00	60.00	-36.09	-28.80
5	7.75310	9.82	22.32	18.20	32.14	28.02	73.00	60.00	-40.86	-31.98
6	17.36900	9.94	38.32	31.20	48.26	41.14	73.00	60.00	-24.74	-18.86

Remarks:

1. Q.P. and AV. are abbreviations of quasi-peak and average individually.
2. The emission levels of other frequencies were very low against the limit.
3. Margin value = Emission level – Limit value
4. Correction factor = Insertion loss + Cable loss
5. Emission Level = Correction Factor + Reading Value

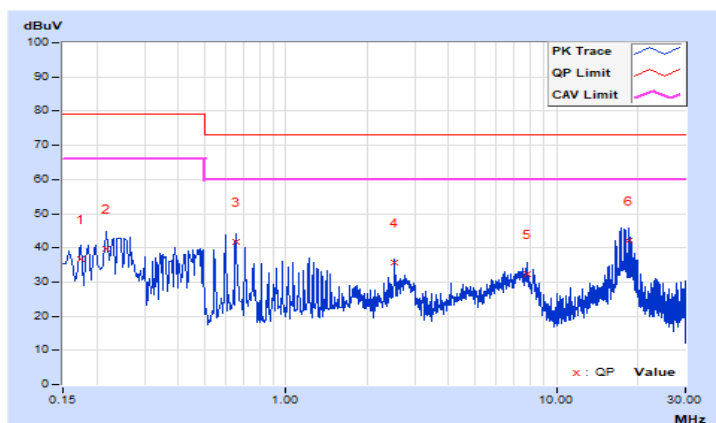


Frequency Range	150kHz ~ 30MHz	Detector Function & Resolution Bandwidth	Quasi-Peak (QP) / Average (AV), 9kHz
Input Power	110Vac, 60Hz	Environmental Conditions	17 °C, 66 % RH
Tested by	John Liao		

Phase Of Power : Neutral (N)										
No	Frequency (MHz)	Correction Factor (dB)	Reading Value (dBuV)		Emission Level (dBuV)		Limit (dBuV)		Margin (dB)	
			Q.P.	AV.	Q.P.	AV.	Q.P.	AV.	Q.P.	AV.
1	0.17395	9.63	27.23	21.25	36.86	30.88	79.00	66.00	-42.14	-35.12
2	0.21783	9.63	30.23	23.65	39.86	33.28	79.00	66.00	-39.14	-32.72
3	0.65162	9.65	32.02	26.87	41.67	36.52	73.00	60.00	-31.33	-23.48
4	2.52692	9.73	26.11	24.26	35.84	33.99	73.00	60.00	-37.16	-26.01
5	7.83290	9.84	22.32	16.87	32.16	26.71	73.00	60.00	-40.84	-33.29
6	18.47822	10.03	32.02	28.96	42.05	38.99	73.00	60.00	-30.95	-21.01

Remarks:

1. Q.P. and AV. are abbreviations of quasi-peak and average individually.
2. The emission levels of other frequencies were very low against the limit.
3. Margin value = Emission level – Limit value
4. Correction factor = Insertion loss + Cable loss
5. Emission Level = Correction Factor + Reading Value



Mode B

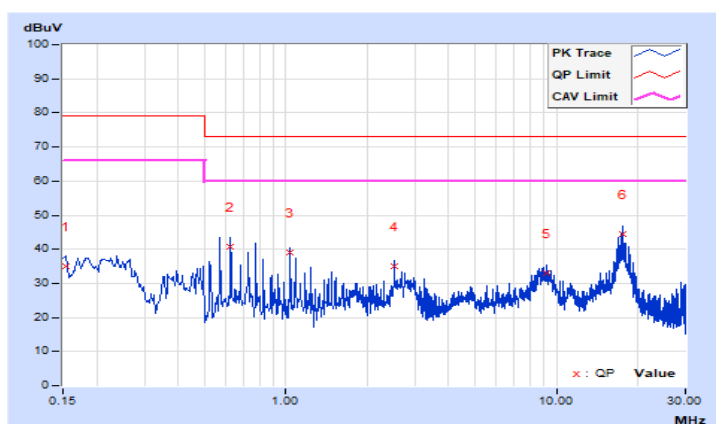
Frequency Range	150kHz ~ 30MHz	Detector Function & Resolution Bandwidth	Quasi-Peak (QP) / Average (AV), 9kHz
Input Power	230Vac, 50Hz	Environmental Conditions	17 °C, 66 % RH
Tested by	John Liao		

Phase Of Power : Line (L)

No	Frequency (MHz)	Correction Factor (dB)	Reading Value (dBuV)		Emission Level (dBuV)		Limit (dBuV)		Margin (dB)	
			Q.P.	AV.	Q.P.	AV.	Q.P.	AV.	Q.P.	AV.
1	0.15399	9.63	25.36	21.20	34.99	30.83	79.00	66.00	-44.01	-35.17
2	0.62369	9.65	31.20	27.58	40.85	37.23	73.00	60.00	-32.15	-22.77
3	1.03865	9.67	29.35	24.08	39.02	33.75	73.00	60.00	-33.98	-26.25
4	2.52692	9.73	25.36	24.11	35.09	33.84	73.00	60.00	-37.91	-26.16
5	9.16157	9.84	23.30	22.25	33.14	32.09	73.00	60.00	-39.86	-27.91
6	17.69618	9.94	34.52	28.32	44.46	38.26	73.00	60.00	-28.54	-21.74

Remarks:

1. Q.P. and AV. are abbreviations of quasi-peak and average individually.
2. The emission levels of other frequencies were very low against the limit.
3. Margin value = Emission level – Limit value
4. Correction factor = Insertion loss + Cable loss
5. Emission Level = Correction Factor + Reading Value

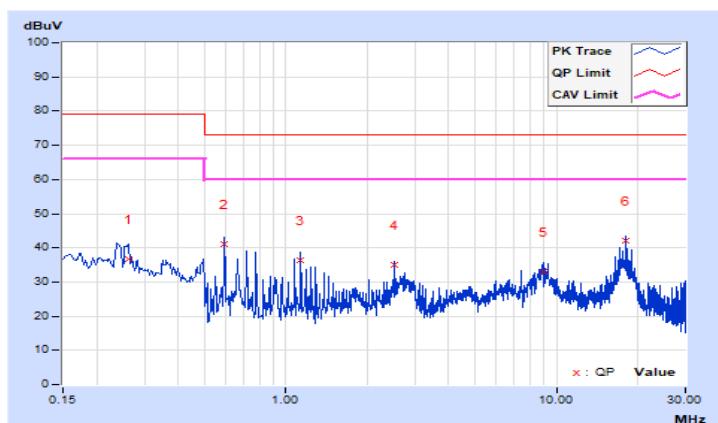


Frequency Range	150kHz ~ 30MHz	Detector Function & Resolution Bandwidth	Quasi-Peak (QP) / Average (AV), 9kHz
Input Power	230Vac, 50Hz	Environmental Conditions	17 °C, 66 % RH
Tested by	John Liao		

Phase Of Power : Neutral (N)										
No	Frequency (MHz)	Correction Factor (dB)	Reading Value (dBuV)		Emission Level (dBuV)		Limit (dBuV)		Margin (dB)	
			Q.P.	AV.	Q.P.	AV.	Q.P.	AV.	Q.P.	AV.
1	0.26081	9.63	27.23	21.20	36.86	30.83	79.00	66.00	-42.14	-35.17
2	0.59177	9.65	31.52	25.10	41.17	34.75	73.00	60.00	-31.83	-25.25
3	1.13439	9.68	26.85	22.63	36.53	32.31	73.00	60.00	-36.47	-27.69
4	2.52692	9.73	25.12	24.85	34.85	34.58	73.00	60.00	-38.15	-25.42
5	8.95409	9.85	23.18	19.63	33.03	29.48	73.00	60.00	-39.97	-30.52
6	17.94755	10.02	32.10	26.99	42.12	37.01	73.00	60.00	-30.88	-22.99

Remarks:

1. Q.P. and AV. are abbreviations of quasi-peak and average individually.
2. The emission levels of other frequencies were very low against the limit.
3. Margin value = Emission level – Limit value
4. Correction factor = Insertion loss + Cable loss
5. Emission Level = Correction Factor + Reading Value



7.2 Conducted Emissions from Wired Network Ports

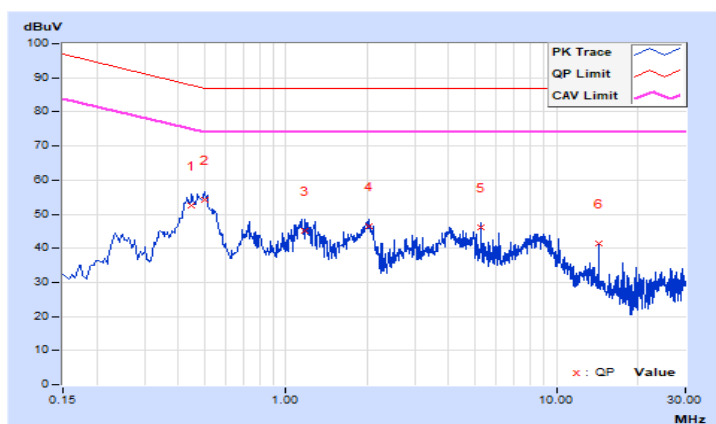
Mode A

Frequency Range	150kHz ~ 30MHz	Detector Function & Resolution Bandwidth	Quasi-Peak (QP) / Average (AV), 9kHz
Input Power	230Vac, 50Hz	Environmental Conditions	17 °C, 66 % RH
Tested by	John Liao		

No	Frequency (MHz)	Correction Factor (dB)	Reading Value (dBuV)		Emission Level (dBuV)		Limit (dBuV)		Margin (dB)	
			Q.P.	AV.	Q.P.	AV.	Q.P.	AV.	Q.P.	AV.
1	0.44925	9.57	42.86	37.99	52.43	47.56	87.89	74.89	-35.46	-27.33
2	0.49997	9.57	44.53	41.20	54.10	50.77	87.00	74.00	-32.90	-23.23
3	1.17830	9.56	35.62	29.63	45.18	39.19	87.00	74.00	-41.82	-34.81
4	2.02807	9.61	36.85	32.88	46.46	42.49	87.00	74.00	-40.54	-31.51
5	5.29526	9.76	36.32	35.06	46.08	44.82	87.00	74.00	-40.92	-29.18
6	14.33661	10.00	31.31	30.52	41.31	40.52	87.00	74.00	-45.69	-33.48

Remarks:

1. Q.P. and AV. are abbreviations of quasi-peak and average individually.
2. The emission levels of other frequencies were very low against the limit.
3. Margin value = Emission level – Limit value
4. Correction factor = Insertion loss + Cable loss
5. Emission Level = Correction Factor + Reading Value



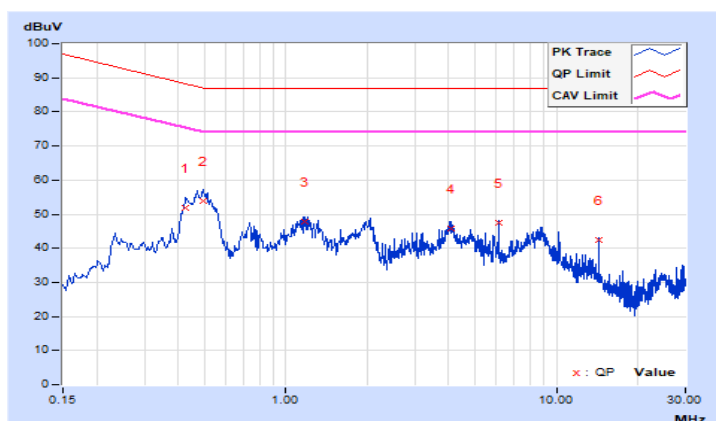
Mode B

Frequency Range	150kHz ~ 30MHz	Detector Function & Resolution Bandwidth	Quasi-Peak (QP) / Average (AV), 9kHz
Input Power	230Vac, 50Hz	Environmental Conditions	17 °C, 66 % RH
Tested by	John Liao		

No	Frequency (MHz)	Correction Factor (dB)	Reading Value (dBuV)		Emission Level (dBuV)		Limit (dBuV)		Margin (dB)	
			Q.P.	AV.	Q.P.	AV.	Q.P.	AV.	Q.P.	AV.
1	0.42531	9.57	42.35	37.85	51.92	47.42	88.34	75.34	-36.42	-27.92
2	0.49314	9.57	44.39	40.99	53.96	50.56	87.11	74.11	-33.15	-23.55
3	1.17032	9.56	38.32	30.52	47.88	40.08	87.00	74.00	-39.12	-33.92
4	4.05908	9.72	36.23	29.36	45.95	39.08	87.00	74.00	-41.05	-34.92
5	6.14513	9.79	37.85	37.56	47.64	47.35	87.00	74.00	-39.36	-26.65
6	14.33660	10.00	32.26	32.07	42.26	42.07	87.00	74.00	-44.74	-31.93

Remarks:

1. Q.P. and AV. are abbreviations of quasi-peak and average individually.
2. The emission levels of other frequencies were very low against the limit.
3. Margin value = Emission level – Limit value
4. Correction factor = Insertion loss + Cable loss
5. Emission Level = Correction Factor + Reading Value



7.3 Radiated Emissions up to 1 GHz

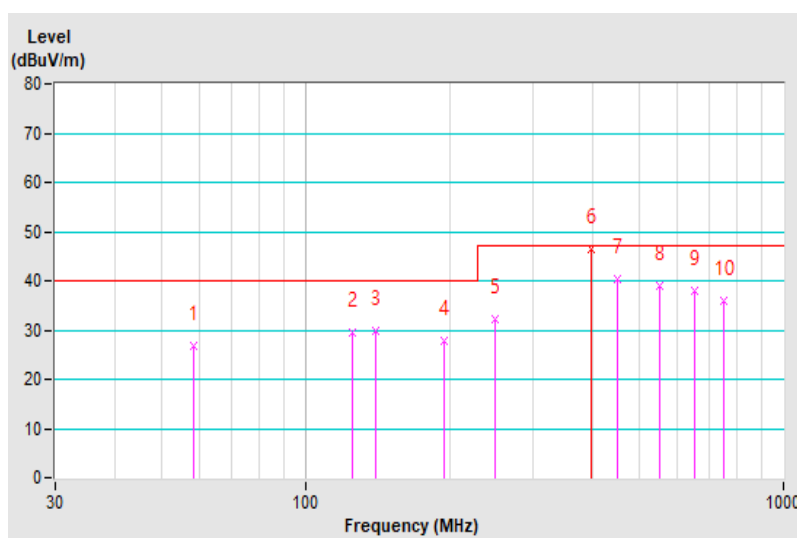
Mode A

Frequency Range	30MHz ~ 1GHz	Detector Function & Resolution Bandwidth	Quasi-Peak (QP), 120kHz
Input Power	230Vac, 50Hz	Environmental Conditions	16 °C, 73 % RH
Tested By	Paul Chen		

Antenna Polarity & Test Distance : Horizontal at 10 m								
No	Frequency (MHz)	Emission Level (dBuV/m)	Limit (dBuV/m)	Margin (dB)	Antenna Height (m)	Table Angle (Degree)	Raw Value (dBuV)	Correction Factor (dB/m)
1	58.21	26.89 QP	40.00	-13.11	4.00 H	323	37.80	-10.91
2	125.01	29.49 QP	40.00	-10.51	4.00 H	330	40.90	-11.41
3	140.12	29.68 QP	40.00	-10.32	4.00 H	199	39.80	-10.12
4	195.82	27.71 QP	40.00	-12.29	4.00 H	13	40.27	-12.56
5	249.99	32.27 QP	47.00	-14.73	3.83 H	285	42.21	-9.94
6	396.01	46.54 QP	47.00	-0.46	3.12 H	333	52.05	-5.51
7	450.01	40.39 QP	47.00	-6.61	1.96 H	244	44.60	-4.21
8	550.01	39.02 QP	47.00	-7.98	1.73 H	280	41.09	-2.07
9	649.99	38.02 QP	47.00	-8.98	1.34 H	169	37.74	0.28
10	749.98	35.82 QP	47.00	-11.18	1.00 H	262	32.86	2.96

Remarks:

1. Emission Level(dBuV/m) = Raw Value(dBuV) + Correction Factor(dB/m)
2. Correction Factor(dB/m) = Antenna Factor (dB/m) + Cable Factor (dB)
– Pre-Amplifier Factor (dB)
3. The other emission levels were very low against the limit.
4. Margin value = Emission level – Limit value

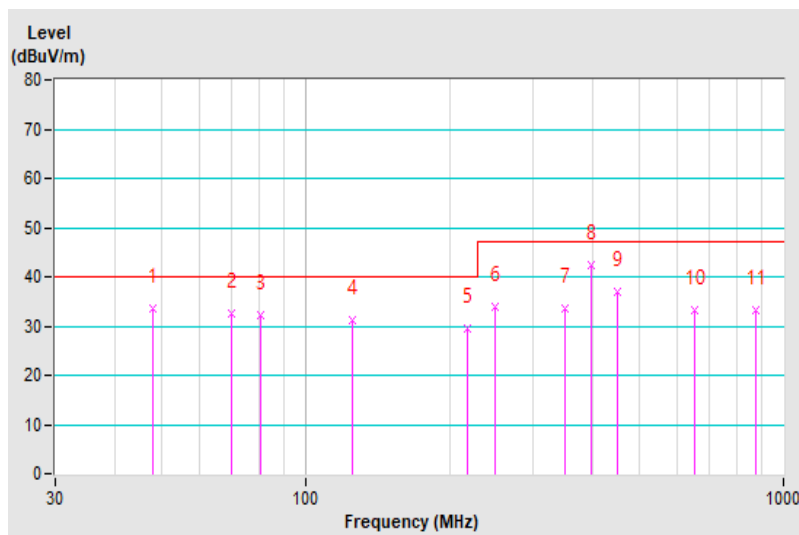


Frequency Range	30MHz ~ 1GHz	Detector Function & Resolution Bandwidth	Quasi-Peak (QP), 120kHz
Input Power	230Vac, 50Hz	Environmental Conditions	16 °C, 73 % RH
Tested By	Paul Chen		

Antenna Polarity & Test Distance : Vertical at 10 m								
No	Frequency (MHz)	Emission Level (dBuV/m)	Limit (dBuV/m)	Margin (dB)	Antenna Height (m)	Table Angle (Degree)	Raw Value (dBuV)	Correction Factor (dB/m)
1	48.02	33.52 QP	40.00	-6.48	1.27 V	36	43.80	-10.28
2	70.11	32.55 QP	40.00	-7.45	1.64 V	299	45.21	-12.66
3	80.53	32.12 QP	40.00	-7.88	1.84 V	262	47.49	-15.37
4	125.01	31.09 QP	40.00	-8.91	1.00 V	180	42.50	-11.41
5	218.96	29.37 QP	40.00	-10.63	1.00 V	345	41.51	-12.14
6	250.01	33.78 QP	47.00	-13.22	1.00 V	147	43.72	-9.94
7	350.02	33.64 QP	47.00	-13.36	1.00 V	150	40.37	-6.73
8	396.01	42.24 QP	47.00	-4.76	1.00 V	355	47.75	-5.51
9	450.01	37.11 QP	47.00	-9.89	1.00 V	178	41.32	-4.21
10	650.01	33.12 QP	47.00	-13.88	3.45 V	183	32.84	0.28
11	875.00	33.29 QP	47.00	-13.71	2.07 V	160	27.70	5.59

Remarks:

1. Emission Level(dBuV/m) = Raw Value(dBuV) + Correction Factor(dB/m)
2. Correction Factor(dB/m) = Antenna Factor (dB/m) + Cable Factor (dB)
– Pre-Amplifier Factor (dB)
3. The other emission levels were very low against the limit.
4. Margin value = Emission level – Limit value



7.4 Radiated Emissions above 1 GHz

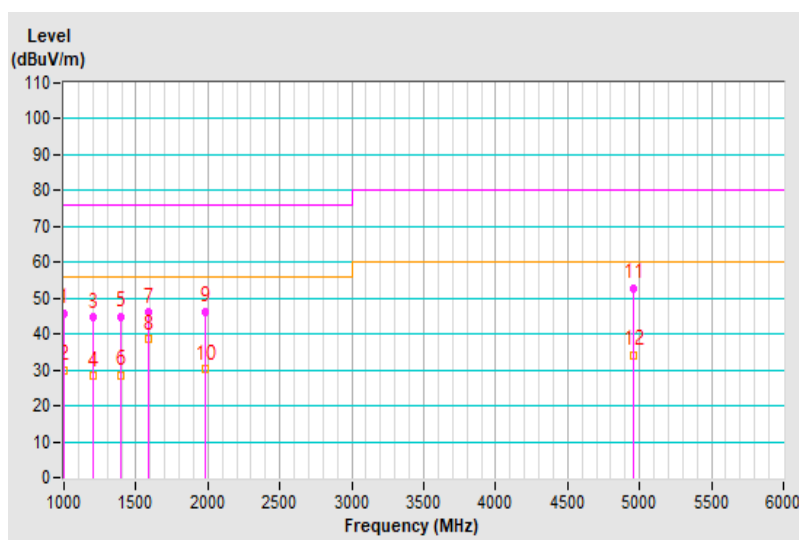
Mode A

Frequency Range	1GHz ~ 5GHz	Detector Function & Resolution Bandwidth	Peak (PK) / Average (AV), 1MHz
Input Power	230Vac, 50Hz	Environmental Conditions	24 °C, 69 % RH
Tested By	Chin-Wen Wang		

Antenna Polarity & Test Distance : Horizontal at 3 m								
No	Frequency (MHz)	Emission Level (dBuV/m)	Limit (dBuV/m)	Margin (dB)	Antenna Height (m)	Table Angle (Degree)	Raw Value (dBuV)	Correction Factor (dB/m)
1	1000.28	45.59 PK	76.00	-30.41	2.23 H	230	49.84	-4.25
2	1000.28	29.80 AV	56.00	-26.20	2.23 H	230	34.05	-4.25
3	1199.61	44.60 PK	76.00	-31.40	1.05 H	61	49.21	-4.61
4	1199.61	28.31 AV	56.00	-27.69	1.05 H	61	32.92	-4.61
5	1397.39	44.71 PK	76.00	-31.29	1.89 H	142	48.66	-3.95
6	1397.39	28.49 AV	56.00	-27.51	1.89 H	142	32.44	-3.95
7	1584.18	46.02 PK	76.00	-29.98	1.00 H	144	49.35	-3.33
8	1584.18	38.50 AV	56.00	-17.50	1.00 H	144	41.83	-3.33
9	1979.73	46.11 PK	76.00	-29.89	2.39 H	218	48.12	-2.01
10	1979.73	30.10 AV	56.00	-25.90	2.39 H	218	32.11	-2.01
11	4959.83	52.86 PK	80.00	-27.14	1.00 H	32	47.10	5.76
12	4959.83	33.92 AV	60.00	-26.08	1.00 H	32	28.16	5.76

Remarks:

1. Emission Level(dBuV/m) = Raw Value(dBuV) + Correction Factor(dB/m)
2. Correction Factor(dB/m) = Antenna Factor (dB/m) + Cable Factor (dB)
– Pre-Amplifier Factor (dB)
3. The other emission levels were very low against the limit.
4. Margin value = Emission level – Limit value

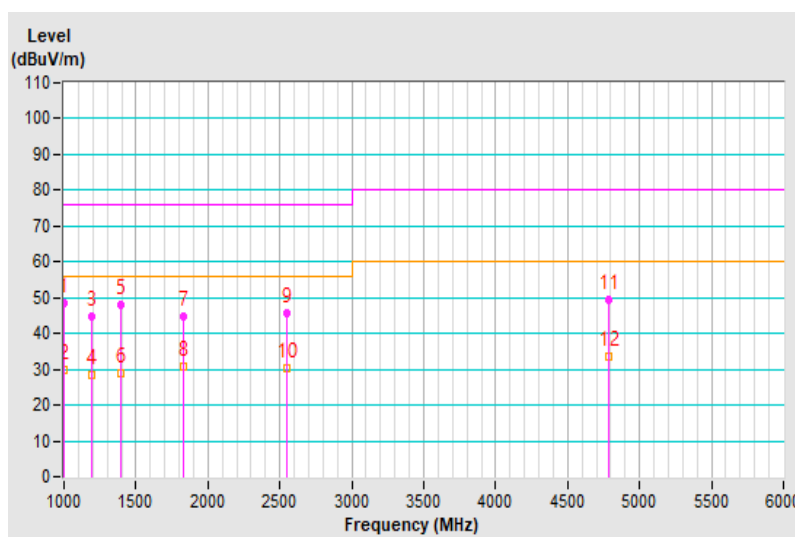


Frequency Range	1GHz ~ 5GHz	Detector Function & Resolution Bandwidth	Peak (PK) / Average (AV), 1MHz
Input Power	230Vac, 50Hz	Environmental Conditions	24 °C, 69 % RH
Tested By	Chin-Wen Wang		

Antenna Polarity & Test Distance : Vertical at 3 m								
No	Frequency (MHz)	Emission Level (dBuV/m)	Limit (dBuV/m)	Margin (dB)	Antenna Height (m)	Table Angle (Degree)	Raw Value (dBuV)	Correction Factor (dB/m)
1	1000.13	48.45 PK	76.00	-27.55	2.31 V	318	52.70	-4.25
2	1000.13	29.99 AV	56.00	-26.01	2.31 V	318	34.24	-4.25
3	1195.95	44.93 PK	76.00	-31.07	1.45 V	22	49.49	-4.56
4	1195.95	28.40 AV	56.00	-27.60	1.45 V	22	32.96	-4.56
5	1393.72	48.14 PK	76.00	-27.86	1.00 V	329	52.11	-3.97
6	1393.72	28.80 AV	56.00	-27.20	1.00 V	329	32.77	-3.97
7	1833.23	44.72 PK	76.00	-31.28	1.20 V	109	47.12	-2.40
8	1833.23	30.84 AV	56.00	-25.16	1.20 V	109	33.24	-2.40
9	2551.70	45.71 PK	76.00	-30.29	2.18 V	44	45.84	-0.13
10	2551.70	30.29 AV	56.00	-25.71	2.18 V	44	30.42	-0.13
11	4783.42	49.31 PK	80.00	-30.69	1.93 V	86	44.06	5.25
12	4783.42	33.70 AV	60.00	-26.30	1.93 V	86	28.45	5.25

Remarks:

1. Emission Level(dBuV/m) = Raw Value(dBuV) + Correction Factor(dB/m)
2. Correction Factor(dB/m) = Antenna Factor (dB/m) + Cable Factor (dB) – Pre-Amplifier Factor (dB)
3. The other emission levels were very low against the limit.
4. Margin value = Emission level – Limit value



7.5 Harmonic Current Measurement

Mode A

Test Duration	5 min	Fundamental Voltage / Ampere	230.69 Vrms / 0.113 Arms
Power Consumption	5.2 W	Power Frequency	49.99 Hz
Power Factor	0.255	Environmental Conditions	18 °C, 78 % RH
Tested By	Chiming Li		

Notes:

- Limits are not specified for equipment with a rated power of 75W or less (other than lighting equipment).
- According to EN 61000-3-2 the manufacturer shall specify the power of the apparatus. This value shall be used for establishing limits. The specified power shall be within +/-10% of the measured power.

7.6 Voltage Fluctuations and Flicker Measurement

Mode A

Observation (Tp)	10 min		
Input Power	230Vac,50Hz	Environmental Conditions	18 °C, 78 % RH
Tested By	Chiming Li		

Test Parameter	Measurement Value	Limit	Remarks
P_{st}	0.289	1.00	Pass
P_{lt}	0.126	0.65	Pass
T_{max} (ms)	0.000	500	Pass
d_{max} (%)	0.000	4.00	Pass
d_c (%)	0.000	3.30	Pass

Notes:

- P_{st} means short-term flicker indicator.
- P_{lt} means long-term flicker indicator.
- T_{max} means accumulated time value of $d(t)$ with a deviation exceeding 3.3 %.
- d_{max} means maximum relative voltage change.
- d_c means maximum relative steady-state voltage change.

7.7 Electrostatic Discharges (ESD)

Mode A

Input Power	230Vac, 50Hz	Environmental conditions	23 °C, 42 % RH 1009 mbar
Tested by	Sean Chou		

Test Results of Direct Application

Discharge Level (kV)	Polarity (+/-)	Test Point	Contact Discharge	Air Discharge	Performance Criteria
2, 4	+/-	1 ~ 3	Note	N/A	A
2, 4, 8	+/-	4 ~ 8	N/A	Note	A

Description of test points of direct application: Please refer to following page for representative mark only.

Test Results of Indirect Application

Discharge Level (kV)	Polarity (+/-)	Test Point	Horizontal Coupling Plane	Vertical Coupling Plane	Performance Criteria
2, 4	+/-	Four Side	Note	Note	A

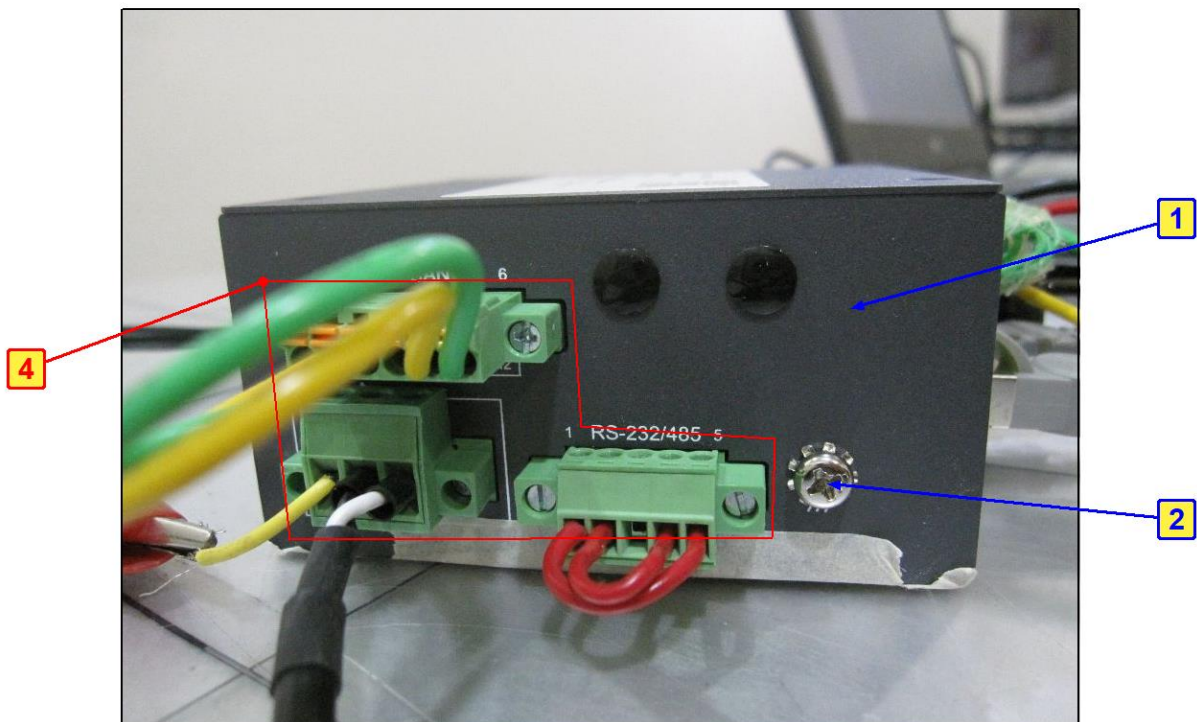
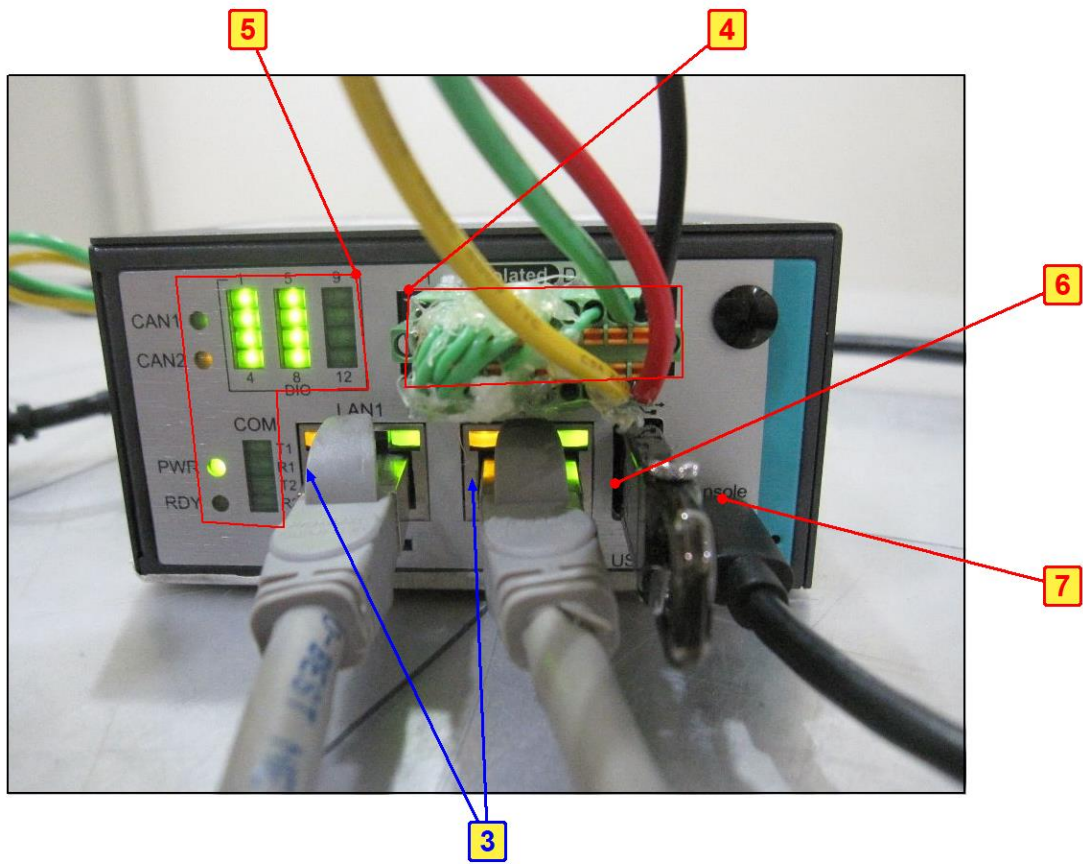
Description of test points of indirect application:

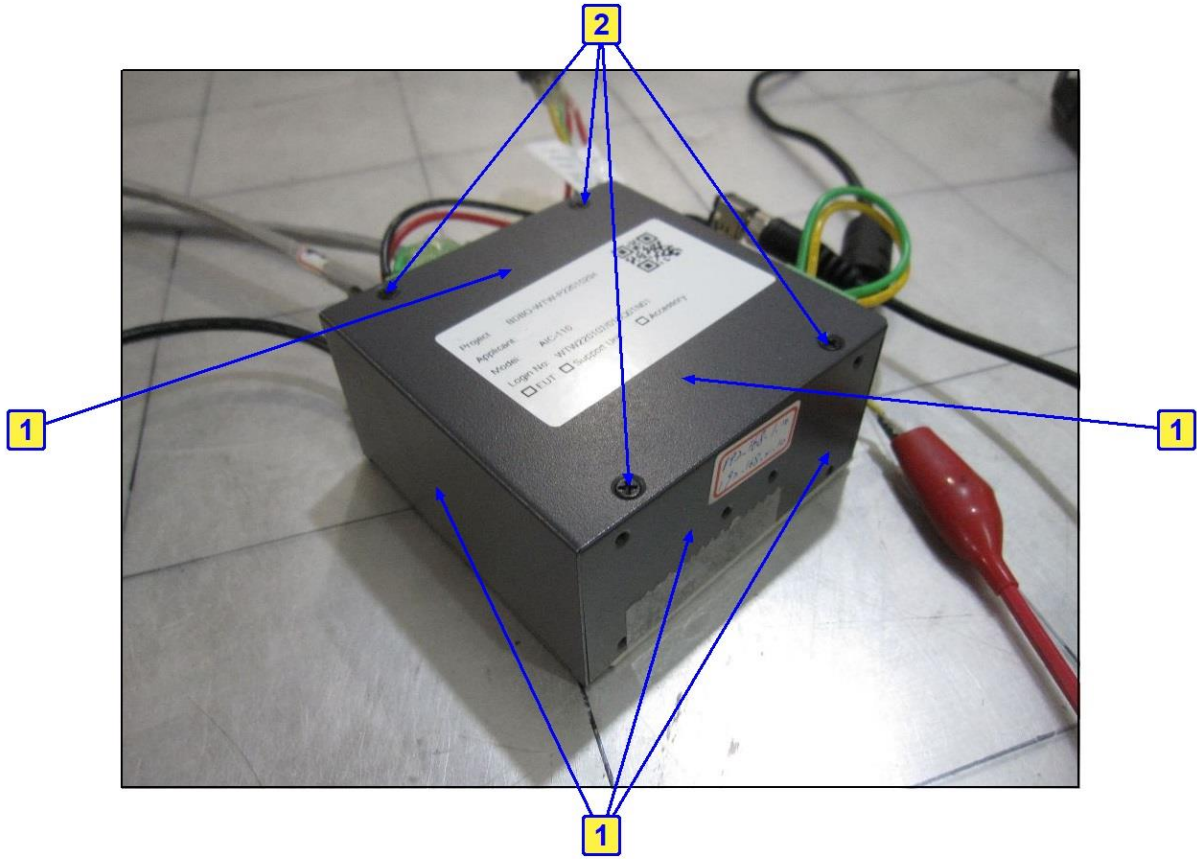
1. Front side 2. Rear side 3. Right side 4. Left side

Please refer to the attached page for description of test points.

Note: The EUT is operated normal during the test.

Description of test point





7.8 Radio Frequency Electromagnetic Field (RS)

Mode A

Input Power	230Vac, 50Hz	Environmental conditions	20 °C, 69 % RH
Tested by	Chiming Li		

Frequency (MHz)	Polarity	Azimuth(°)	Applied Field Strength		Observation	Performance Criteria
			(V/m)	Modulation		
80-1000	V&H	0, 90, 180, 270	3	80% AM (1kHz)	Note	A
1800	V&H	0, 90, 180, 270	3	80% AM (1kHz)	Note	A
2600	V&H	0, 90, 180, 270	3	80% AM (1kHz)	Note	A
3500	V&H	0, 90, 180, 270	3	80% AM (1kHz)	Note	A
5000	V&H	0, 90, 180, 270	3	80% AM (1kHz)	Note	A

Note: The EUT is operated normal during the test.

7.9 Fast Transients Common Mode (EFT)

Mode A

Input Power	230Vac, 50Hz	Environmental conditions	21 °C, 72 % RH
Tested by	Chiming Li		

Input AC power port				
Voltage (kV)	Test Point	Polarity (+/-)	Observation	Performance Criteria
1	L	+/-	Note	A
1	N	+/-	Note	A
1	PE	+/-	Note	A
1	L-N-PE	+/-	Note	A

Wired network and signal/ control port				
Voltage (kV)	Test Point	Polarity (+/-)	Observation	Performance Criteria
0.5	LAN 1	+/-	Note	A

Note: The EUT is operated normal during the test.

7.10 Surges

Mode A

Input Power	230Vac, 50Hz	Environmental conditions	21 °C, 69 % RH
Tested by	Chiming Li		

Input AC power port					
Voltage (kV)	Test Point	Azimuth(°)	Polarity (+/-)	Observation	Performance Criteria
0.5, 1	L-N	90, 270	+/-	Note	A
0.5, 1, 2	L-PE	90, 270	+/-	Note	A
0.5, 1, 2	N-PE	90, 270	+/-	Note	A

Note: The EUT is operated normal during the test.

7.11 Radio Frequency Common Mode (CS)

Mode A

Input Power	230Vac, 50Hz	Environmental conditions	20 °C, 75 % RH
Tested by	Chiming Li		

Input AC power port							
Frequency (MHz)	Level (V rms)	Modulation	Tested Line	Injection Method	Return Path	Observation	Performance Criteria
0.15-10	3	80% AM (1kHz)	AC	CDN-M3	CDN-M1	Note	A
10-30	3 to 1	80% AM (1kHz)	AC	CDN-M3	CDN-M1	Note	A
30-80	1	80% AM (1kHz)	AC	CDN-M3	CDN-M1	Note	A

Wired network and signal/ control port							
Frequency (MHz)	Level (V rms)	Modulation	Tested Line	Injection Method	Return Path	Observation	Performance Criteria
0.15-10	3	80% AM (1kHz)	LAN 1	CDN-ST08A	CDN-M1	Note	A
10-30	3 to 1	80% AM (1kHz)	LAN 1	CDN-ST08A	CDN-M1	Note	A
30-80	1	80% AM (1kHz)	LAN 1	CDN-ST08A	CDN-M1	Note	A

Note: The EUT is operated normal during the test.

7.12 Power Frequency Magnetic Field (PFMF)

Mode A

Input Power	230Vac, 50Hz	Environmental conditions	18 °C, 78 % RH
Tested by	Chiming Li		

Application	Frequency (Hz)	Field Strength (A/m)	Observation	Performance Criteria
X - Axis	50	1	Note	A
Y - Axis	50	1	Note	A
Z - Axis	50	1	Note	A

Note: The EUT is operated normal during the test.

7.13 Voltage Dips and Interruptions (DIP)

Mode A

Input Power	230Vac, 50Hz, 240Vac, 50Hz, 100Vac, 50Hz	Environmental conditions	18 °C, 78 % RH
Tested by	Chiming Li		

Input Power for testing: 230Vac, 50 Hz (Nominal input Voltage)					
Voltage Residual (%)	Duration (cycle)	Interval (sec)	Times	Observation	Performance Criteria
<5	0.5	10	3	Note 1	A
70	25	10	3	Note 1	A
<5	250	10	3	Note 2	C

Input Power for testing: 240Vac, 50 Hz (Maximum rated input voltage)					
Voltage Residual (%)	Duration (cycle)	Interval (sec)	Times	Observation	Performance Criteria
<5	0.5	10	3	Note 1	A
70	25	10	3	Note 1	A
<5	250	10	3	Note 2	C

Input Power for testing: 100Vac, 50 Hz (Minimum rated input voltage)					
Voltage Residual (%)	Duration (cycle)	Interval (sec)	Times	Observation	Performance Criteria
<5	0.5	10	3	Note 1	A
70	25	10	3	Note 1	A
<5	250	10	3	Note 2	C

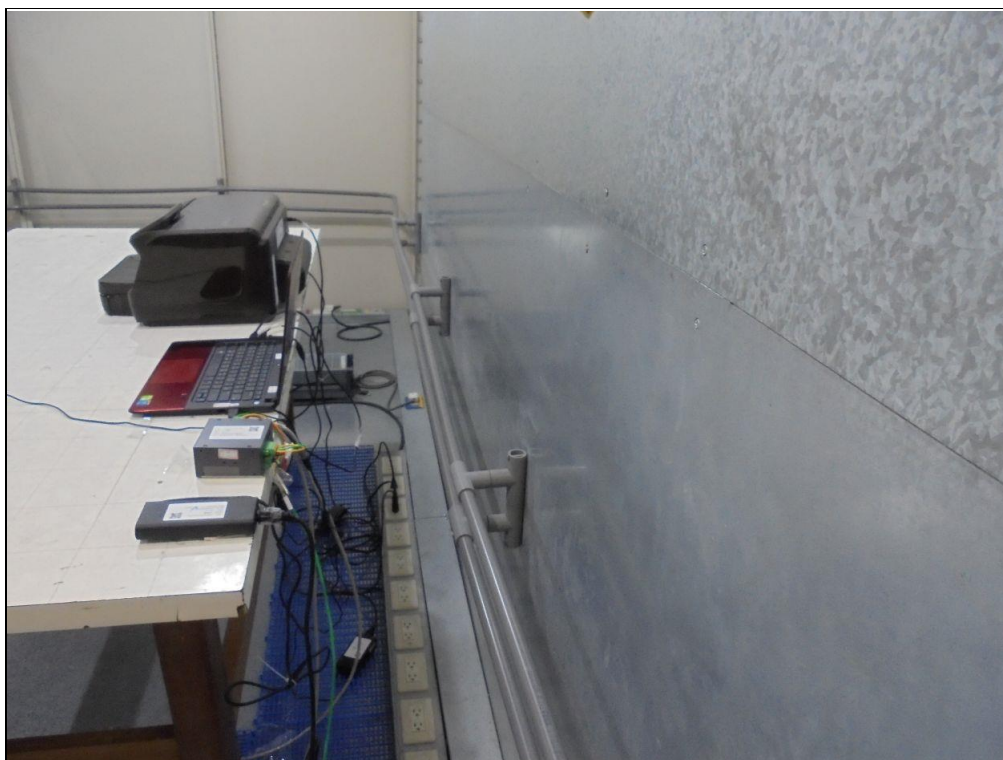
Notes:

1. The EUT is operated normal during the test.
2. The EUT reset, need operator to recover USB R/W after the test.

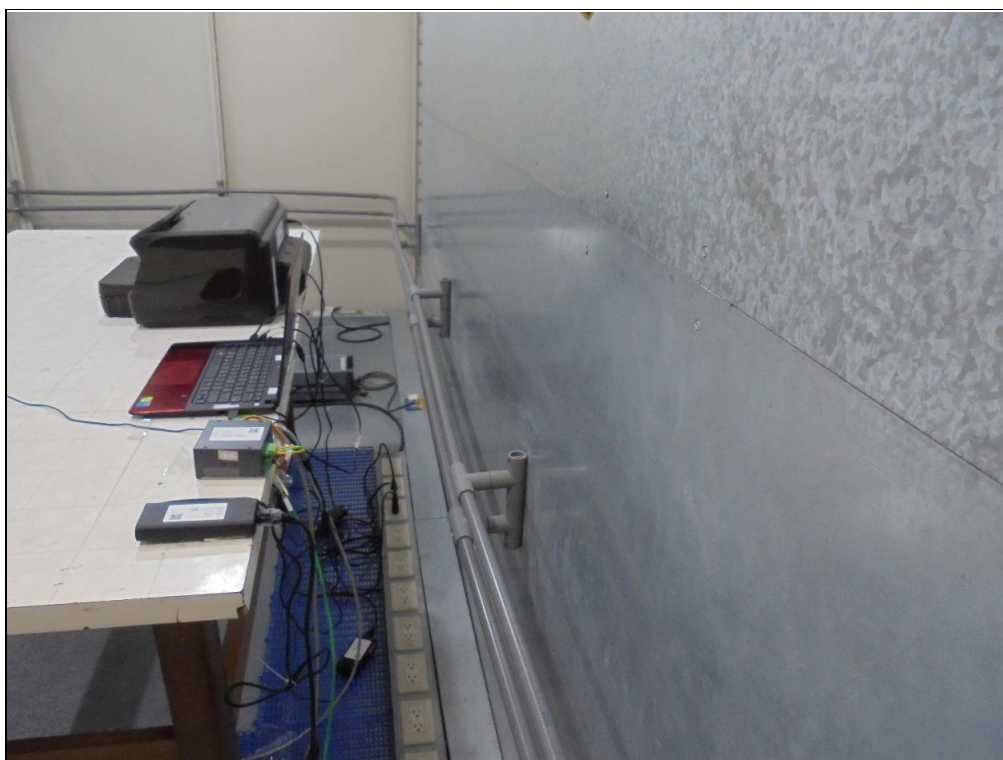
8 Pictures of Test Arrangements

8.1 Conducted Emissions from Power Ports

Mode A



Mode B



8.2 Conducted Emissions from Wired Network Ports

Mode A



Mode B



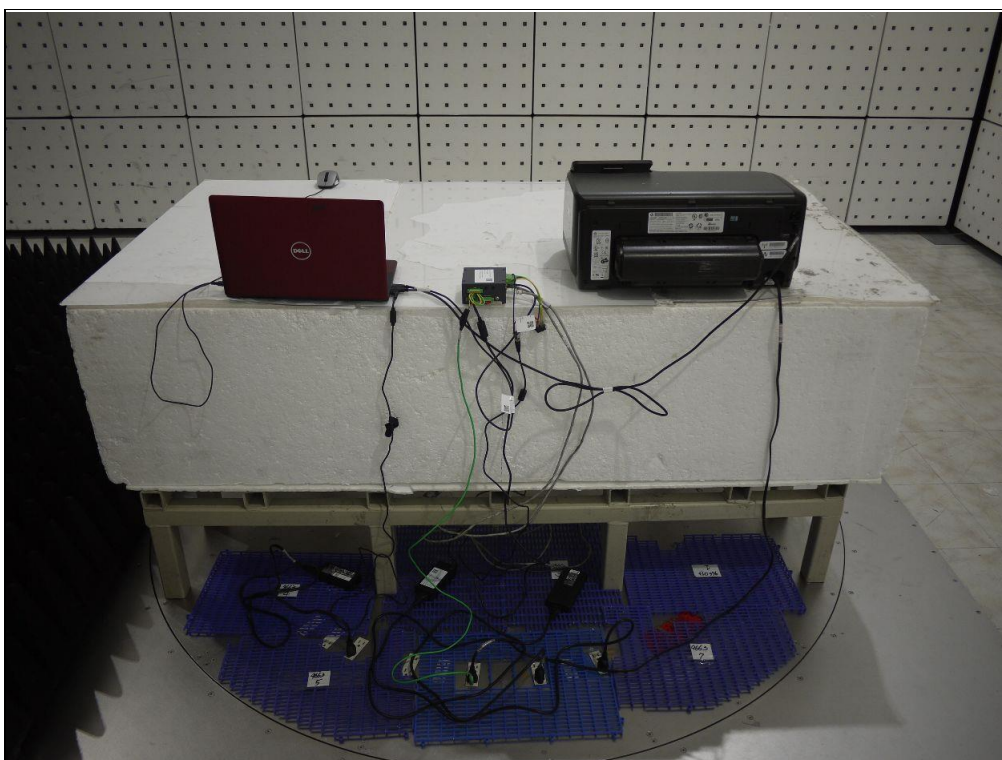
8.3 Radiated Emissions up to 1 GHz

Mode A



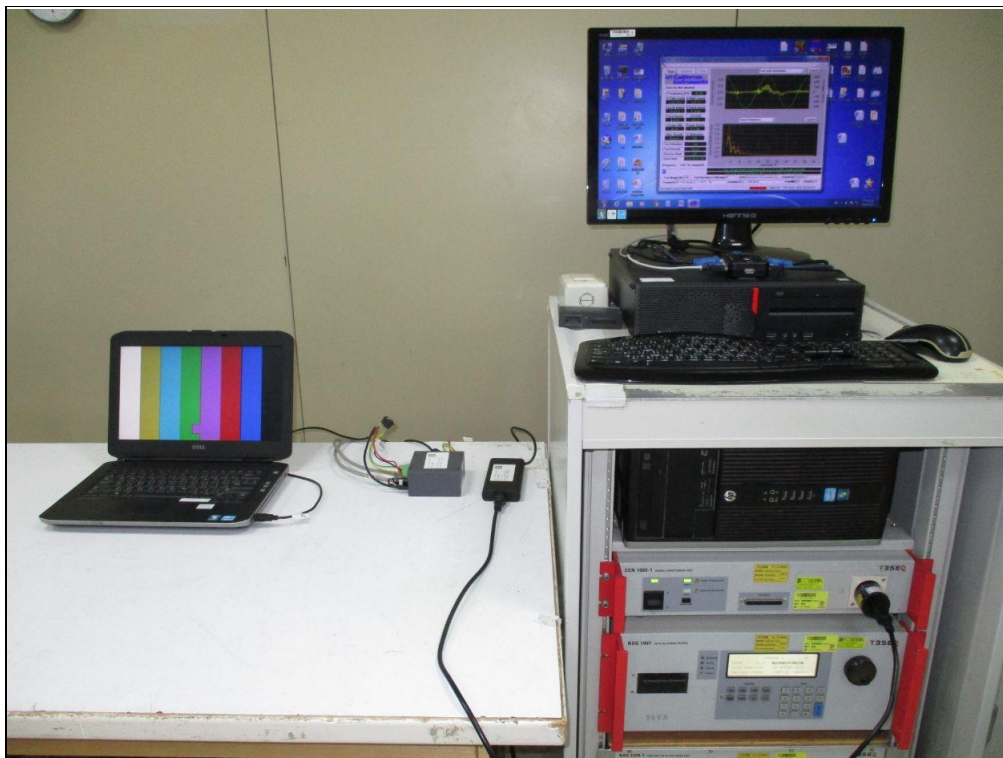
8.4 Radiated Emissions above 1 GHz

Mode A



8.5 Harmonic Current Measurement

Mode A



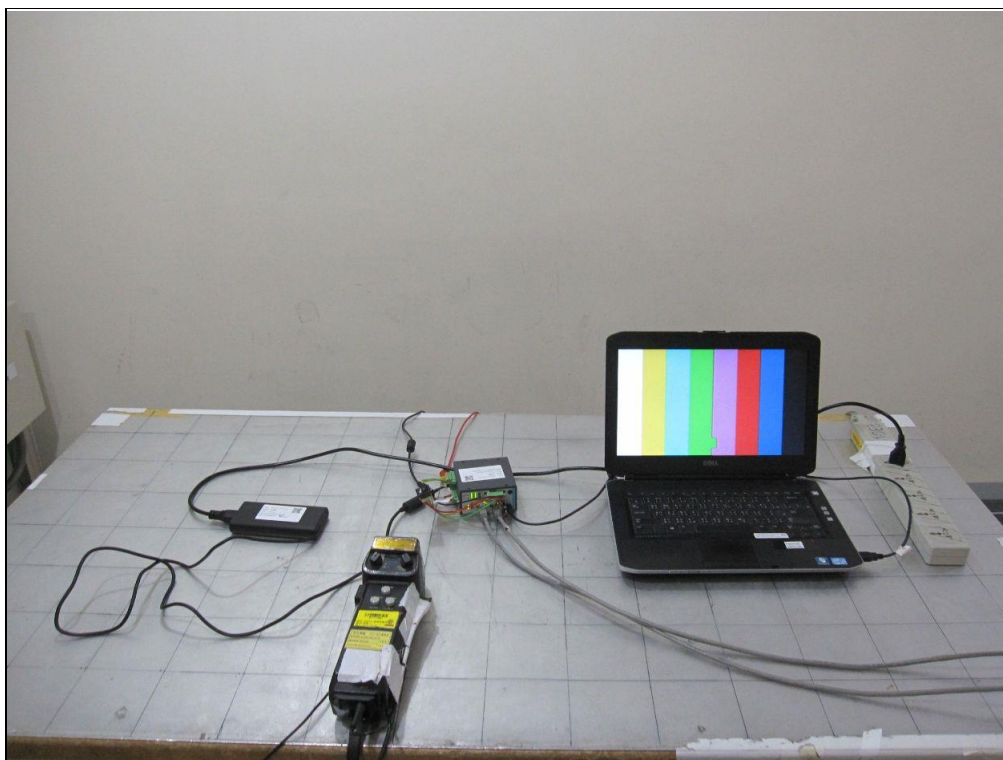
8.6 Voltage Fluctuations and Flicker Measurement

Mode A



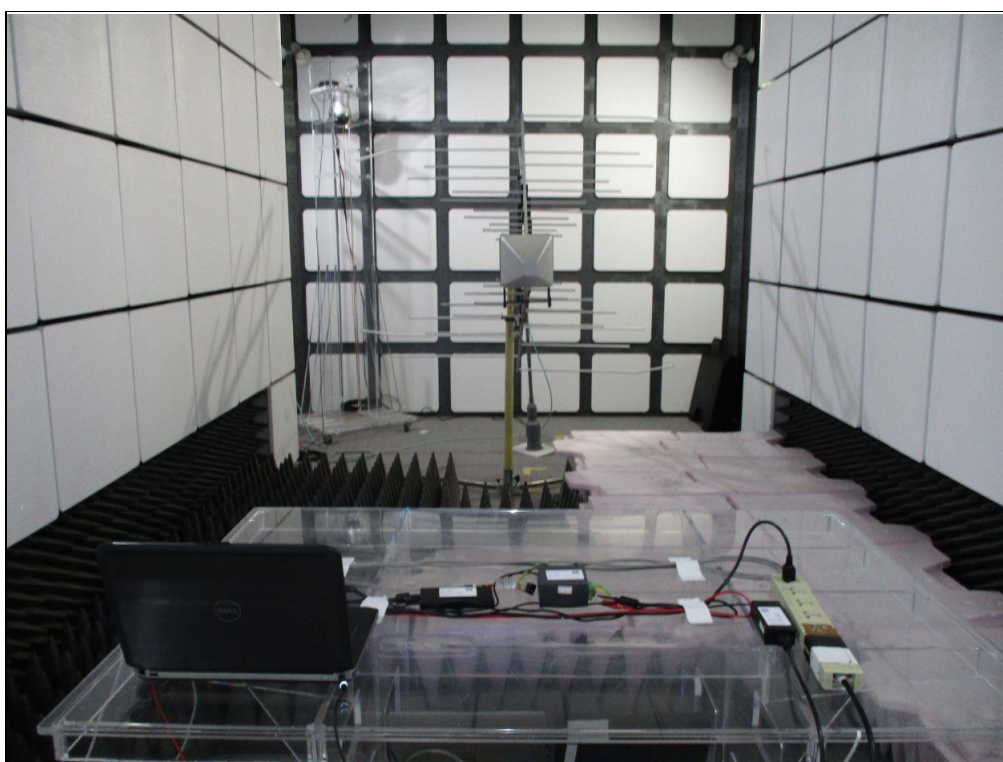
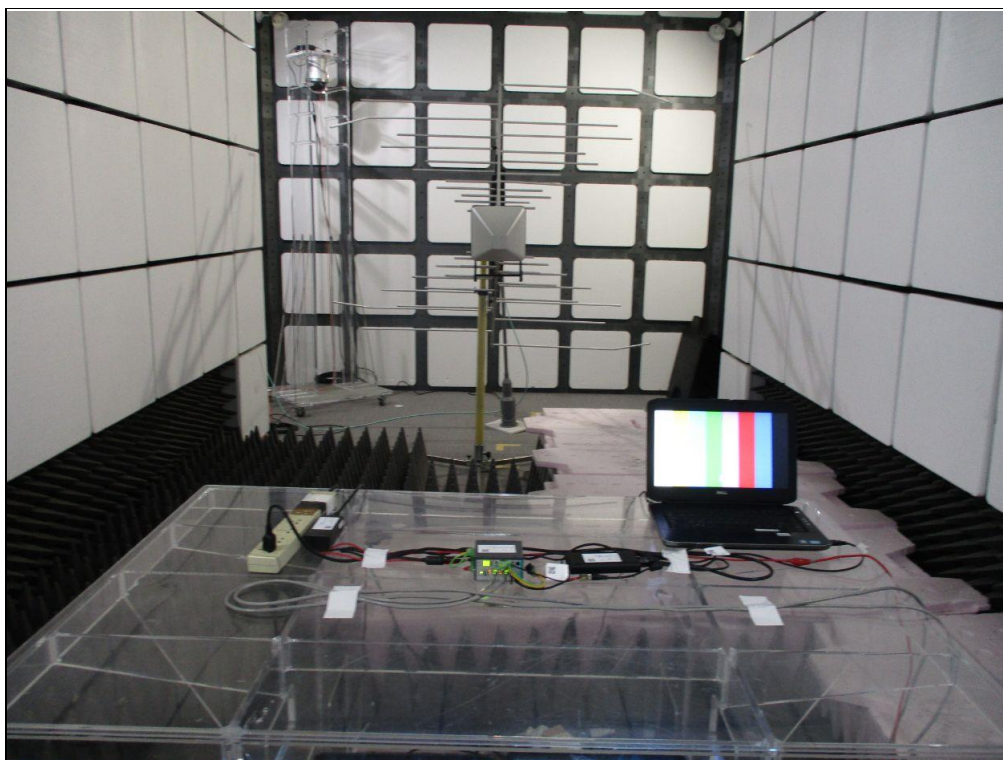
8.7 Electrostatic Discharges (ESD)

Mode A



8.8 Radio Frequency Electromagnetic Field (RS)

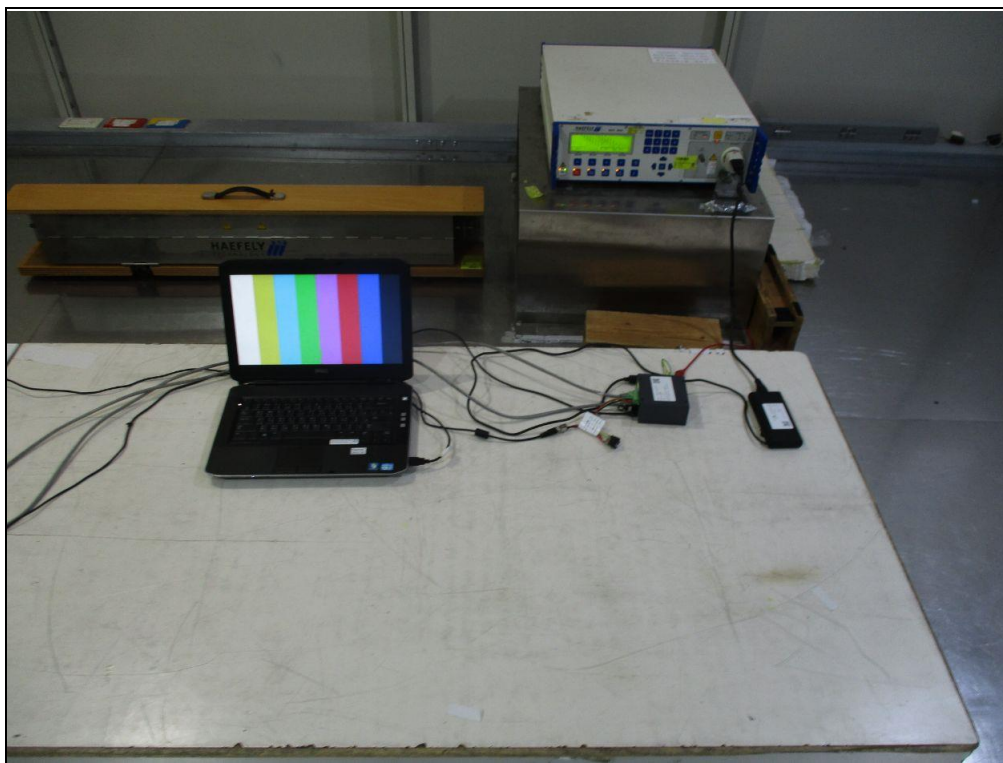
Mode A



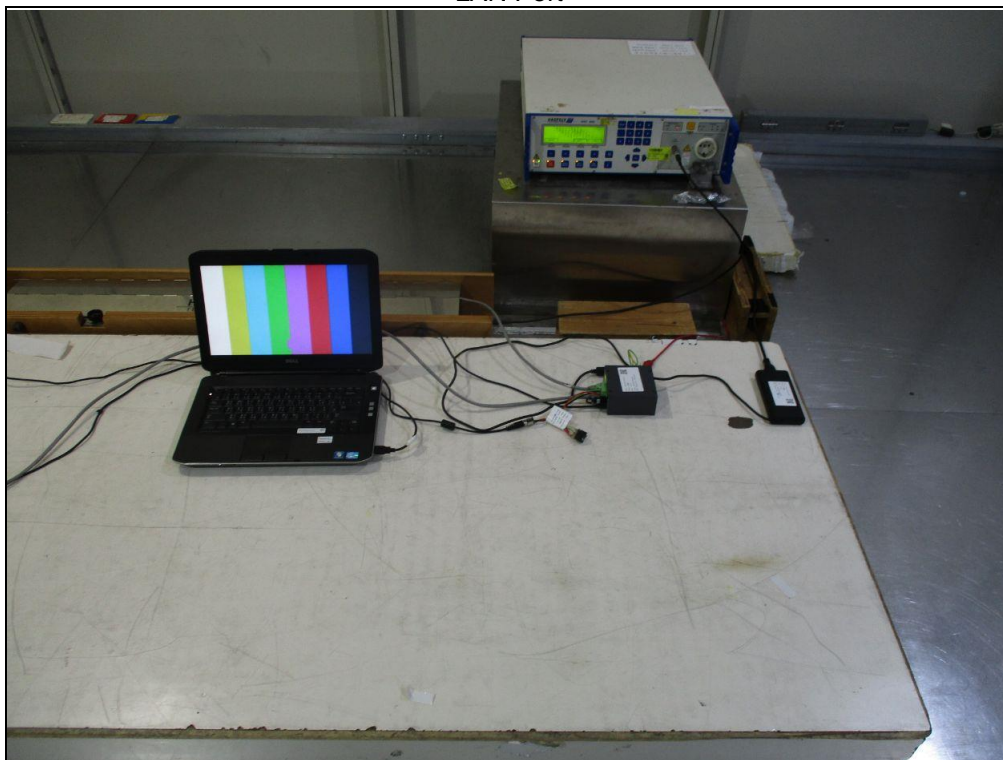
8.9 Fast Transients Common Mode (EFT)

Mode A

Mains ports



LAN Port



8.10 Surges

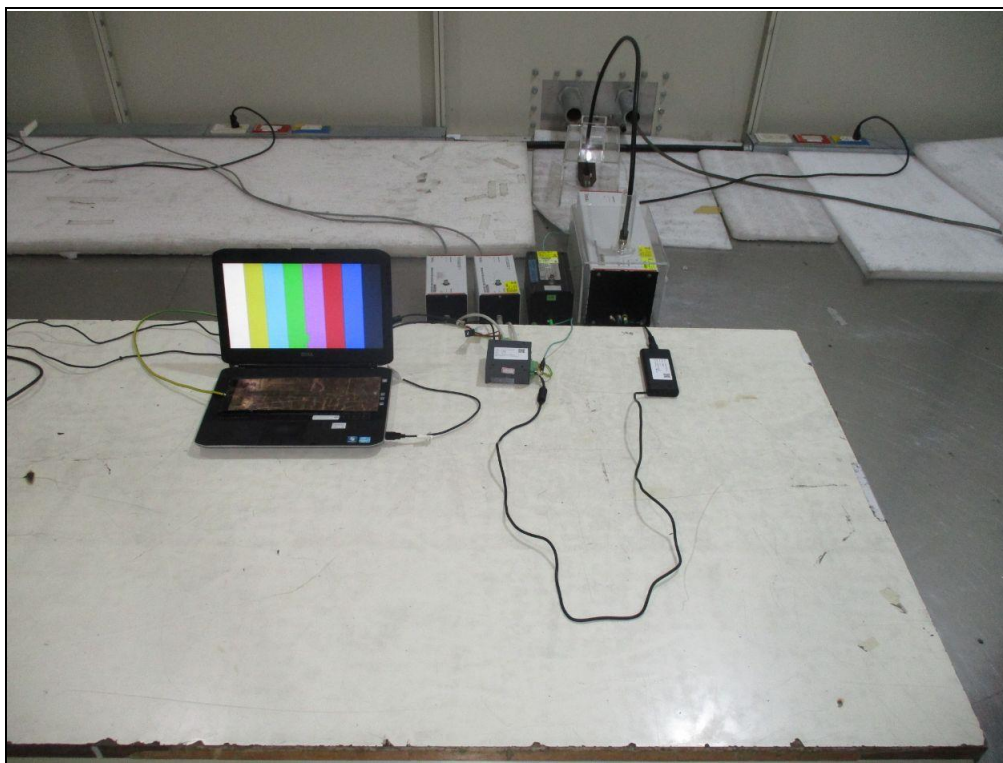
Mode A



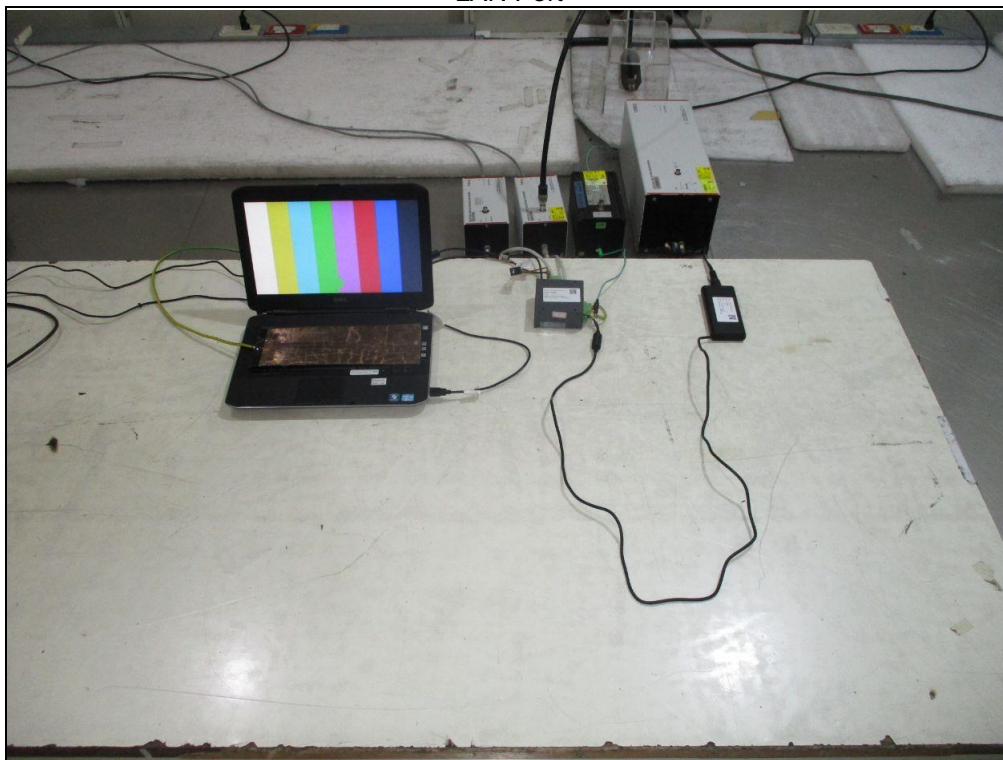
8.11 Radio Frequency Common Mode (CS)

Mode A

Mains ports



LAN Port



8.12 Power Frequency Magnetic Field (PFMF)

Mode A



8.13 Voltage Dips and Interruptions (DIP)

Mode A



9 Information of the Testing Laboratories

We, Bureau Veritas Consumer Products Services (H.K.) Ltd., Taoyuan Branch, were founded in 1988 to provide our best service in EMC, Radio, Telecom and Safety consultation. Our laboratories are FCC recognized accredited test firms and accredited according to ISO/IEC 17025.

If you have any comments, please feel free to contact us at the following:

Lin Kou EMC/RF Lab

Tel: 886-2-26052180

Fax: 886-2-26051924

Hsin Chu EMC/RF/Telecom Lab

Tel: 886-3-6668565

Fax: 886-3-6668323

Hwa Ya EMC/RF/Safety Lab

Tel: 886-3-3183232

Fax: 886-3-3270892

Email: service.adt@tw.bureauveritas.com

Web Site: www.bureauveritas-adt.com

The address and road map of all our labs can be found in our web site also.

--- END ---